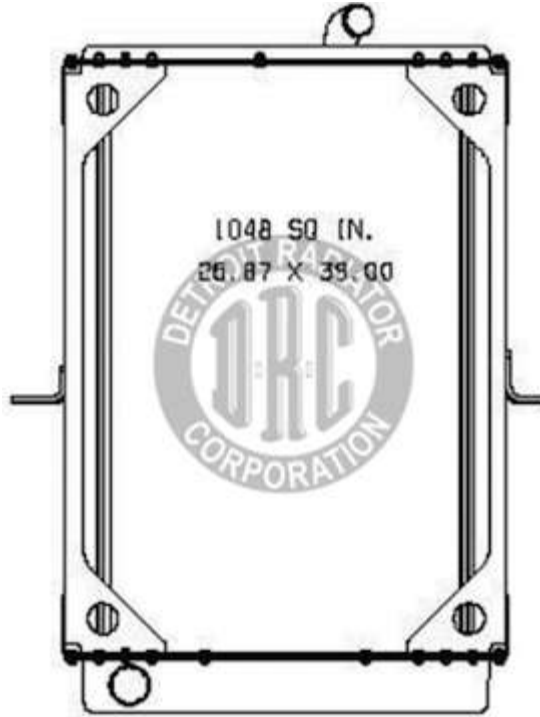


54 PART(S) FOUND

DRC#Core Dim's & ConnectionsComments

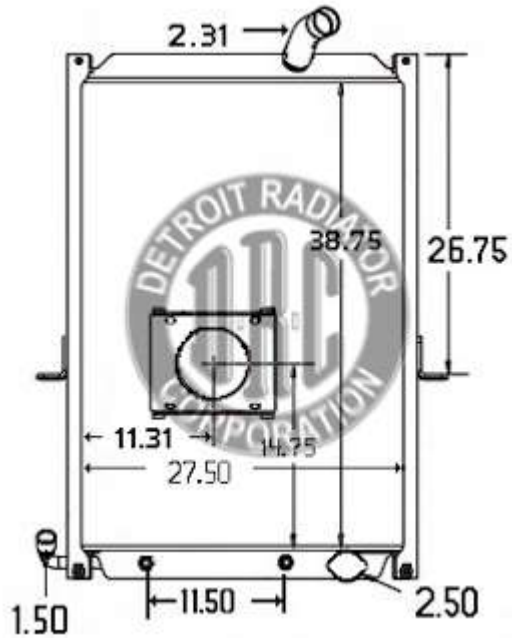


MK5518

39.00" x 26.81" x 2.00"

Inlet: 2" Top Right

Outlet: 2.50" Bottom Right
1999-2007 Mack MR Series



MK5558APTOOC

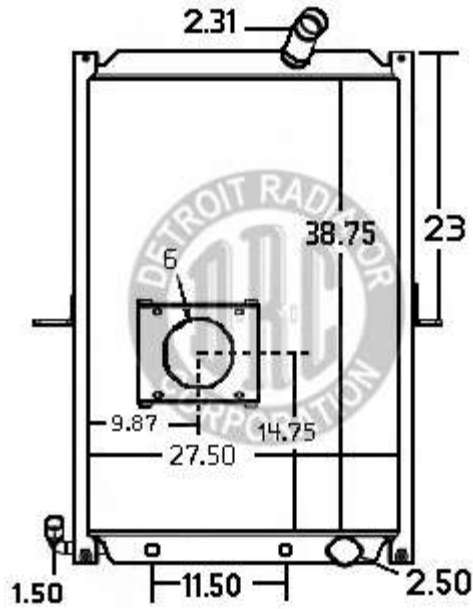
38.75" x 27.50" x 2.37"

Inlet: 2.31" Top Right

Outlet: 2.50" Bottom Right

2007-2014 Mack LEU Series

Note location of crankbox, 7300-41 slightly different. Please note small connection in left side of bottom tank



MK5558PTOOC

38.75" x 27.50" x 2.00"

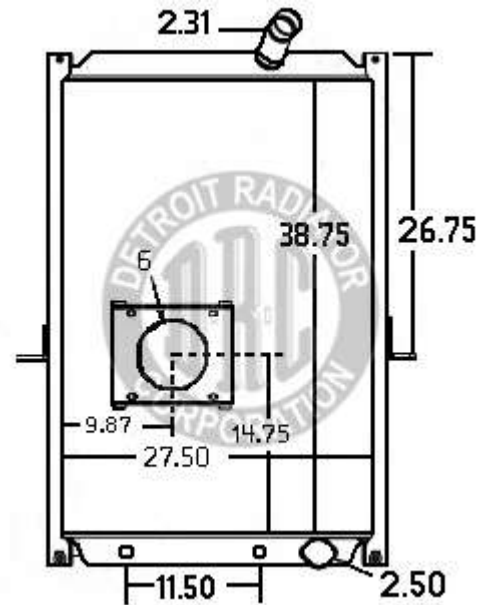
Inlet: 2.31" Top Right

Outlet: 2.50" Bottom Right

Takes Core Part Number AL2420

Mack Radiator

Fits 2007 - 2010 MRU Sanitation Truck with 6" Round PTO



MK5582APTOOC

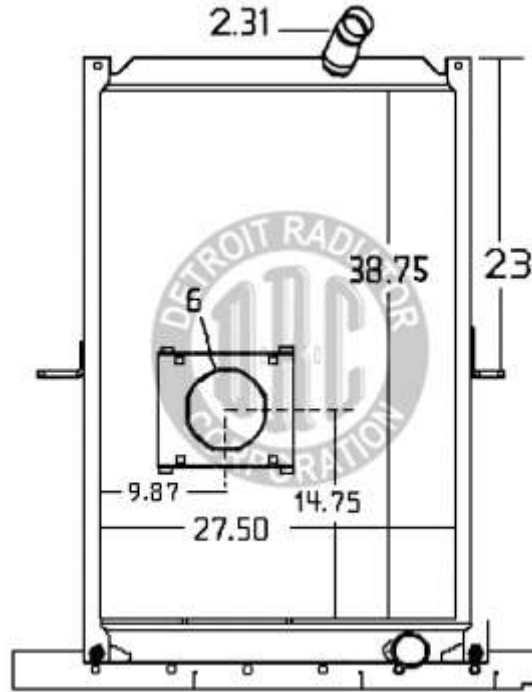
38.75" x 27.50" x 2.00"

Inlet: 2.31" Top Right

Outlet: 2.50" Bottom Right

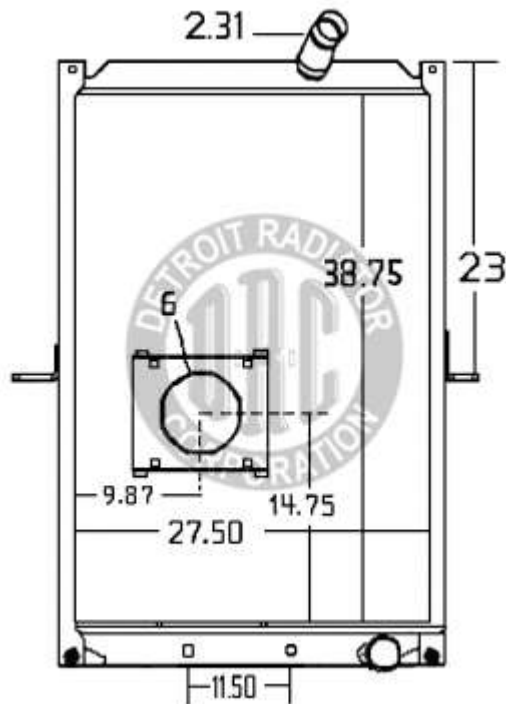
Takes Core Part Number AL2420

2007-2014 Mack LEU Series



MK5582PTO

38.75" x 27.50" x 2.25"
 Inlet: 2.31" Top Right
 Outlet: 2.50" Bottom Right
 Takes Core Part Number AL2420
 Mack Radiator
 Mack MRU with PTO
 Ref: 3MF5595M2 has oil cooler
 Ref: 3MF5582M2 no oil cooler
 Ref: 1003694 no oil cooler
 Ref: 1003693 has oil cooler
 Ref: 21098669 crossed to with & without oil cooler



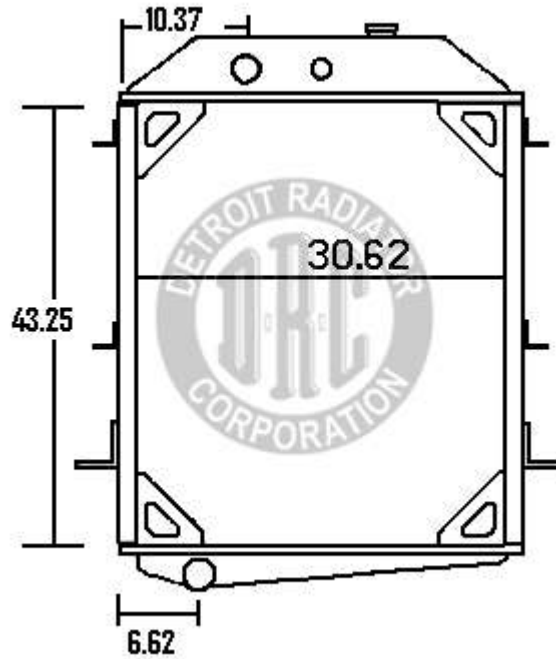
MK5582PTOOC

38.75" x 27.50" x 2.00"

Inlet: 2.31" Top Right

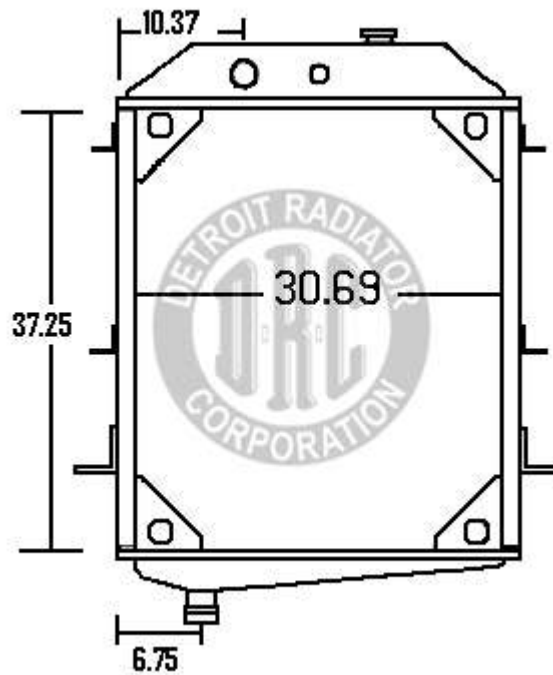
Outlet: 2.50" Bottom Right

Takes Core Part Number AL2420
2007-2014 Mack MRU Seriescooler



MK7171

43.25" x 30.62" x 2.37"
Inlet : 2.00" Top Left
Outlet : 2.50" Bottom Right
Mack Radiator
Fits 1985 - 1993 R Model Mack
Includes brackets
Core # 6983

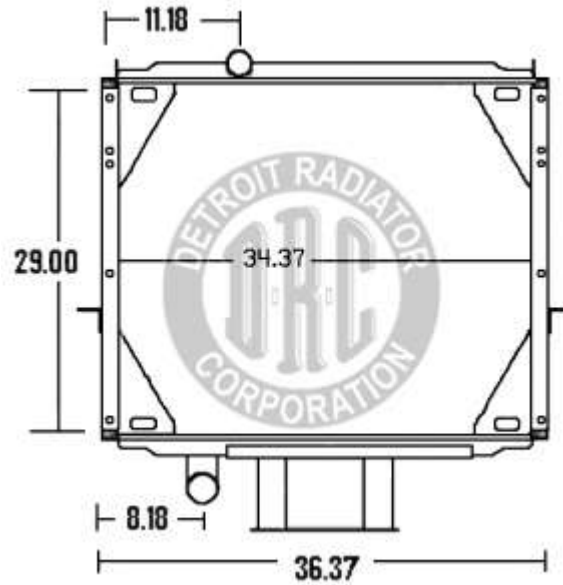


MK7172

37.25" x 30.69" x 2.00"

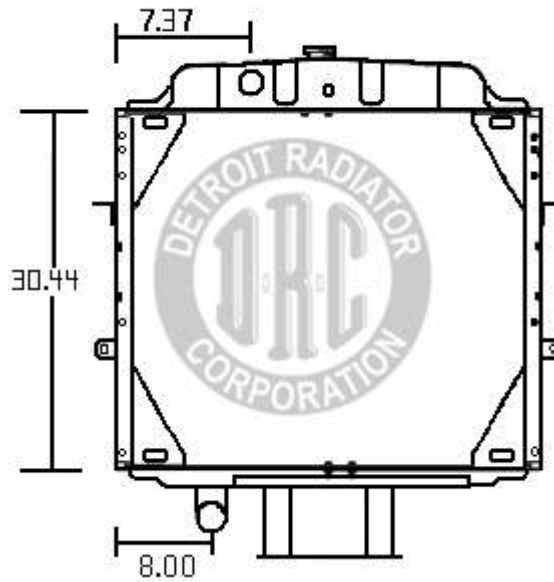
Inlet : 2.00" Top Left

Outlet : 2.50" Bottom Left
Mack Radiator
Fits 1985 - 1993 R Model Mack



MK7173

29.00" x 34.37" x 2.37"
Inlet : 2.00" Top Left
Outlet : 2.50" Bottom Left
Mack Radiator
Fits 1985 - 1993 RD Model Mack
With mounting pad and brackets



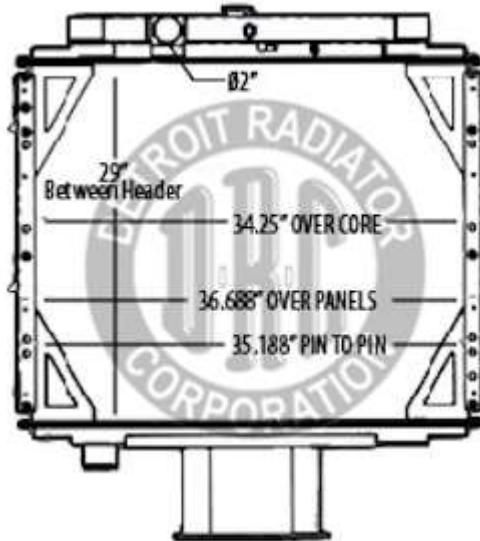
MK7174

30.44" x 34.37" x 2.00"

Inlet : 2.00" Top Left

Outlet : 2.50" Bottom Left

46 Bolt Hole Pattern Headers
Mack Radiator
Fits 1985 - 1993 RD Model Mack

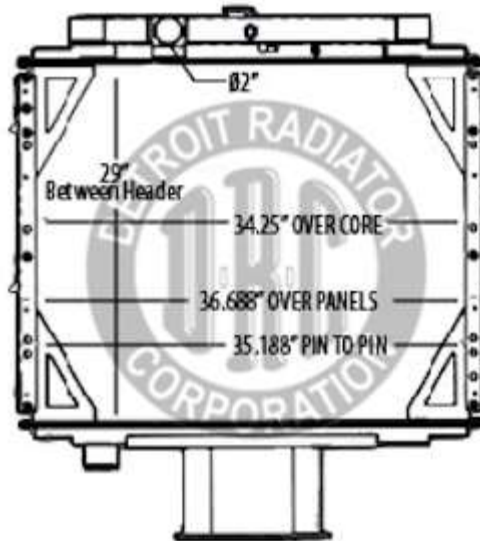


29.00" x 34.25" x 2.00"

MK7175

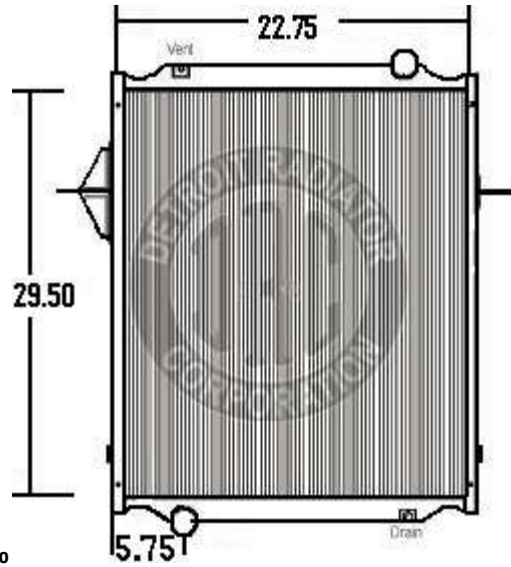
Inlet: 2.00" Top Left

Outlet: 2.50" Bottom Left
Mack Radiator
Fits DM690S models 1998-2004



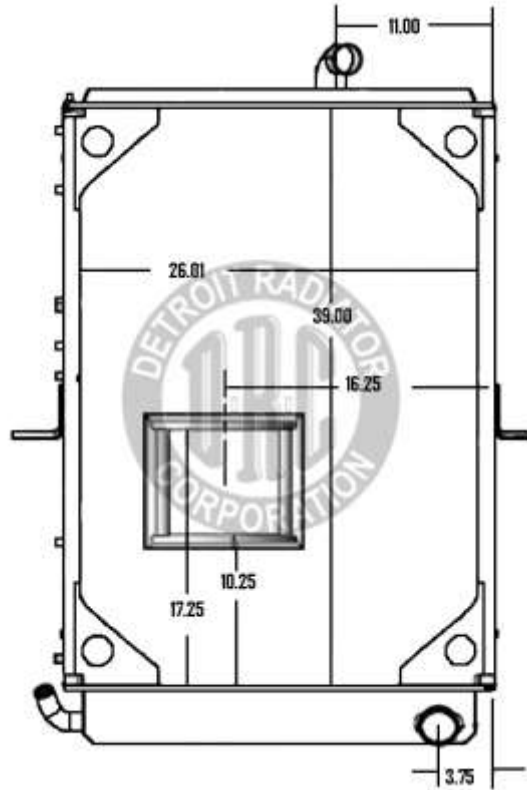
29.00" x 34.25" x 2.375"
Inlet: 2.00" Top Left
Outlet: 2.50" Bottom Left
Mack Radiator
Fits DM690S models 1998-2004

MK7175N



MK7300

29.50" x 22.75" x 2.00"
 Inlet : 2.00" Top Right
 Outlet : 2.00" Bottom Left
 1998-2001 Mack Midliner

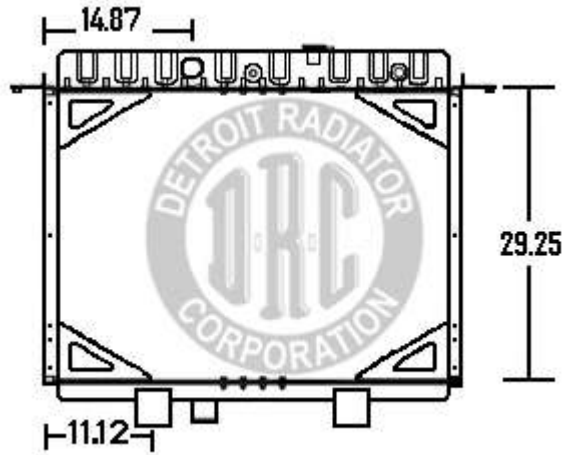


MK80

39.00" x 26.81" x 2.00"

Inlet: 2.00" Top Right

Outlet: 2.50" Bottom Right
 Mack Radiator
 1999 - 2007 MR 600 Mack with Allison Transmission
 MK8173PTO with MK6613M bottom tank

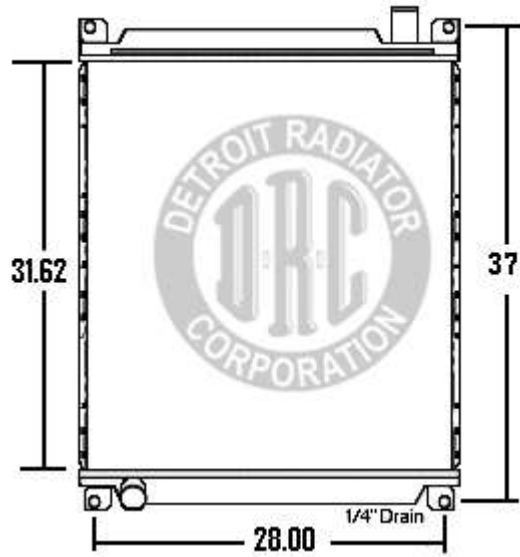


MK8003

29.25" x 40.00" x 2.00"

Inlet : 2.00" Top Left

Outlet : 2.50" Bottom Left
 1993-1995 Mack CH Series
 Core #7236

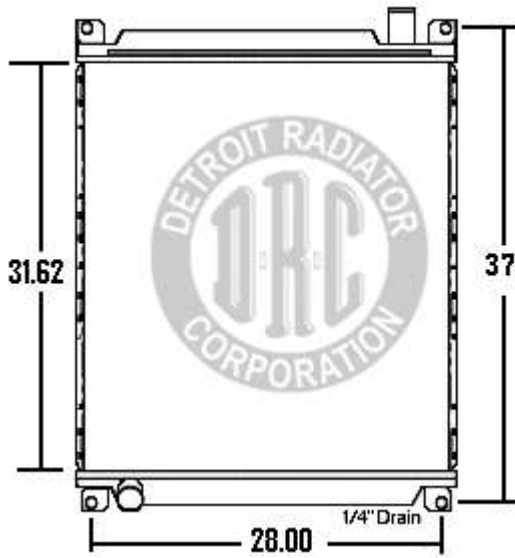


MK8091

31.62" x 29.25" X 2.00"

Inlet : 2.00" Top Right

Outlet : 2.00" Bottom Left
 2004-2005 Mack CX Vision



31.62" x 29.25" x 2.00"

MK8091-PA

Inlet: 2.00" Top Right

Outlet: 2.00" Bottom Left
2004-2005 Mack CX Vision • Reuse OE AC mounting brackets

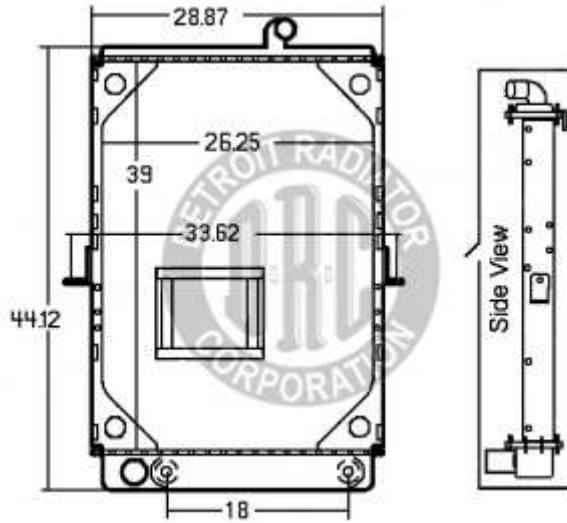


MK81

25.06" x 22.375" x 2.00"

Inlet : 2.00" Top Right

Outlet : 2.00" Bottom Left
1995-2001 Mack Midliner



MK8173PTO

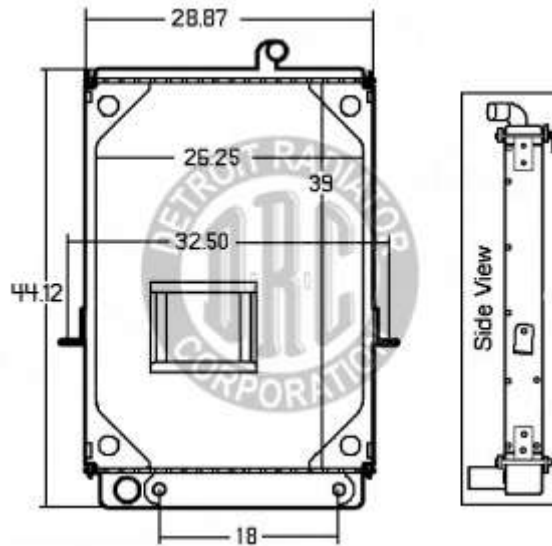
39.00" x 26.81" x 2.375"

Inlet : 2.00" Top Right

Outlet : 2.50" Bottom Left

Brackets 17" from Bottom Header

Core # 9590R4 PTO
 1999-2007 Mack MR Series
 PTO 6.75" x 6.75" - 5" from left; 12" from right; 9" from bottom; Side racket location 14.74" from mount hole to top header



MK8173PTOA

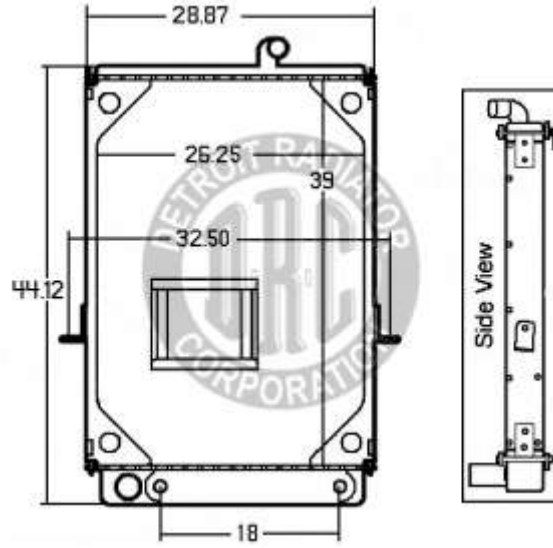
39.00" x 26.81" x 2.375"

Inlet : 2.00" Top Right

Outlet : 2.50" Bottom Left

Brackets 13" from Bottom Header

Core # 9590R4 PTO
 1996-2007 Mack LE Series
 PTO 6.75" x 6.75" - 5" from Left; 12" from Right; 9" from Bottom



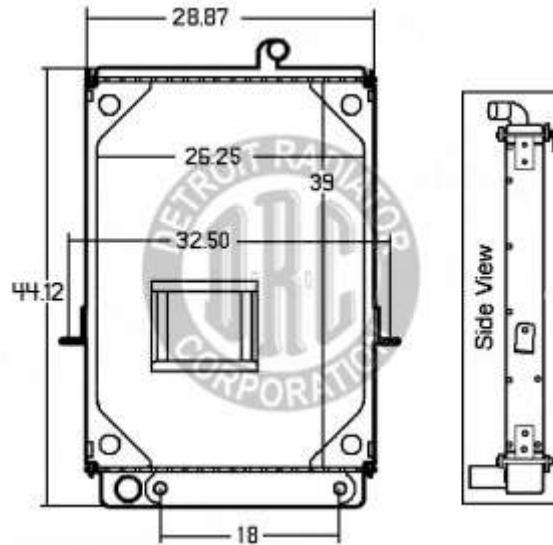
MK8173PTOAH

39.00" x 26.81" x 2.81"

Inlet : 2.00" Top Right

Outlet : 2.50" Bottom Left

Brackets 13" from Bottom Header 4 Row FF Style Core with 1/2" Tubes on 1/2" Centers
 1996-2007 Mack LE Series
 PTO 6.75" x 6.75"; 5" from Left; 12" from Right; 9" from Bottom



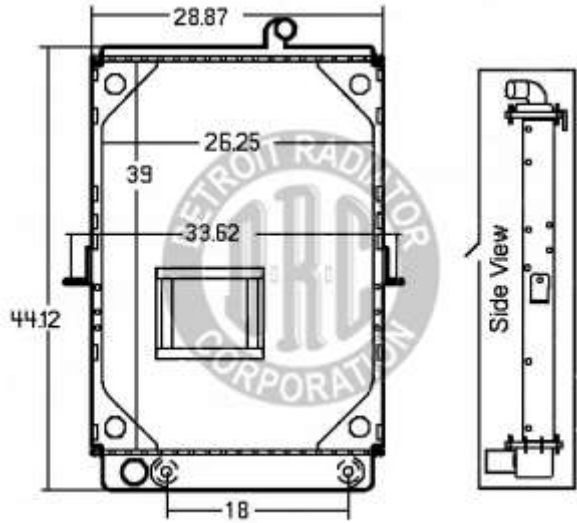
MK8173PTOAN

39.00" x 26.81" x 2.37"

Inlet : 2.00" Top Right

Outlet : 2.50" Bottom Left

Brackets 13" from Bottom Header 4 Row FF Style Core with 1/2" Tubes on 5/8" Centers
 1996-2007 Mack LE Series
 PTO 6.75" x 6.75"; 5" from Left; 12" from Right; 9" from Bottom

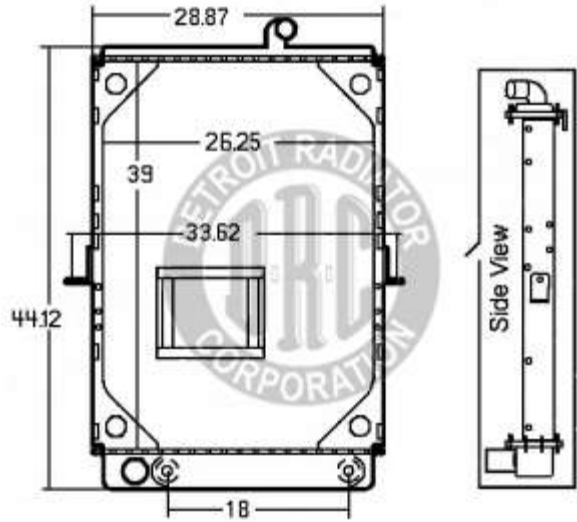


MK8173PTOH

31.74" x 26.81" x 2.81"

Inlet : 2.00" Top Right

Outlet : 2.50" Bottom Left Brackets 17" from Bottom Header 4 Row FF Style Core with 1/2" Tubes on 1/2" Centers
 1999-2007 Mack MR Series
 PTO 6.75" x 6.75" - 5" from left ;12" from right ;9" from bottom;Side bracket location 14.74" from mount hole to top header



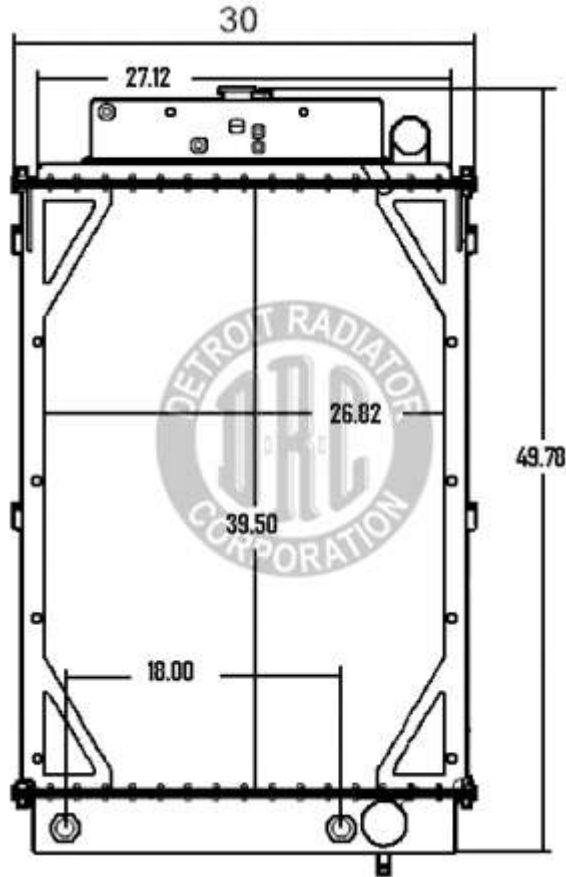
MK8173PTON

31.74" x 26.81" x 2.37"

Inlet : 2.00" Top Right

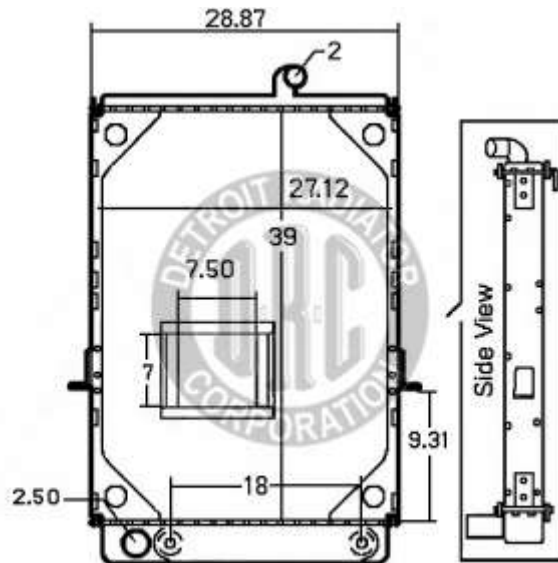
Outlet : 2.50" Bottom Left

Brackets 17" from Bottom Header 4 Row FF Style Core with 1/2" Tubes on 5/8" Centers
 1999-2007 Mack MR Series
 PTO 6.75" x 6.75" - 5" from left ; 12" from right ; 9" from bottom;Side bracket location 14.74" from mount hole to top header



MK8229

39.50" x 26.82" x 2.50"
 Inlet: 2.25" Top Right
 Outlet: 3.00" Bottom Right
 Mack Radiator
 Fits 2006 - 2012 Vision
 18.00" Oil Cooler



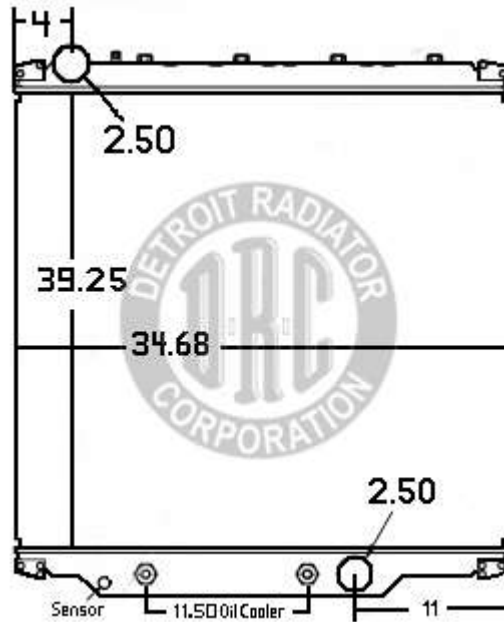
MK8239PTO

39.00" x 26.8125" x 2.00"

Inlet: 2.00" Top Right

Outlet: 2.50" Bottom Left

1994-1999 Mack MR Series
Mounting Bracket is 9.31" from bottom of radiator core

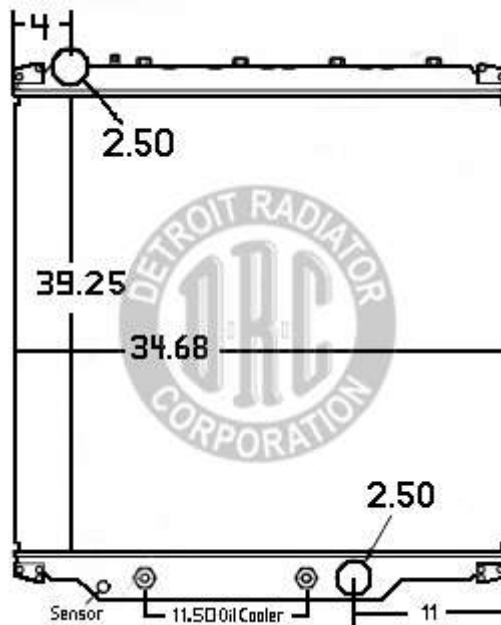


MK8240OC

39.25" x 35.375" x 2.00"

Inlet: 2.50" Top Left

Outlet: 2.50" Bottom Right
2008-2015 Mack CHU Series
2008-2015 Mack GU Granite
2008-2015 Volvo VHD Series

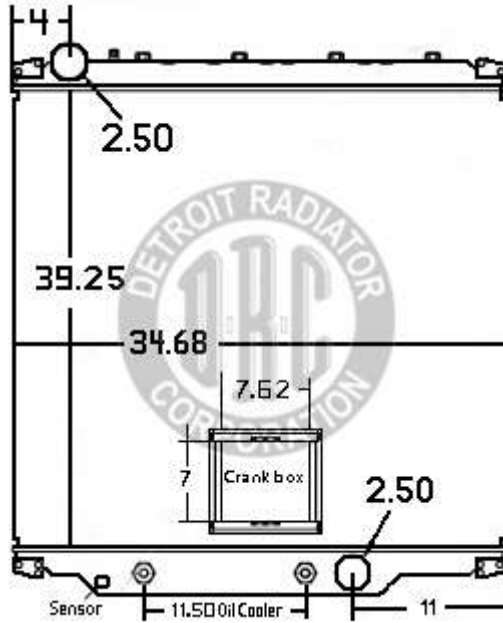


MK8240CH

39.25" x 35.375" x 2.81"

Inlet: 2.50" Top Left

Outlet: 2.50" Bottom Right
4 Row FF Style Core with 1/2" Tubes on 1/2" Centers
2008-2015 Mack CHU Series
2008-2015 Mack GU Granite
2008-2015 Volvo VHD Series

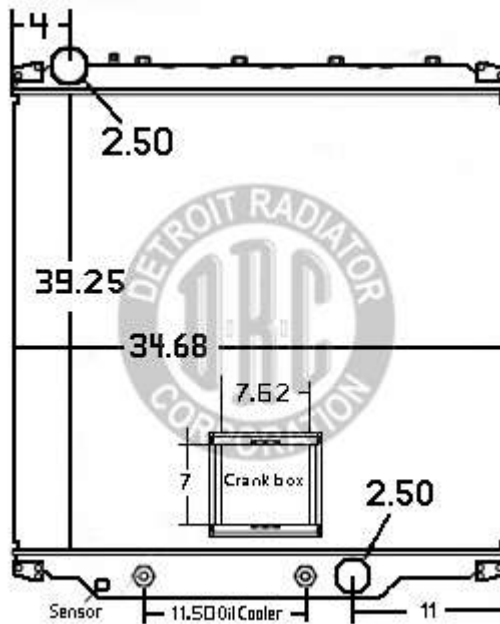


MK8240PTOOC

39.25" x 35.125" x 2.00"

Inlet: 2.50" Top Left

Outlet: 2.50" Bottom Right
 2008-2015 Mack CHU Series
 2008-2015 Mack GU Granite
 2009-2015 Volvo VHD Series



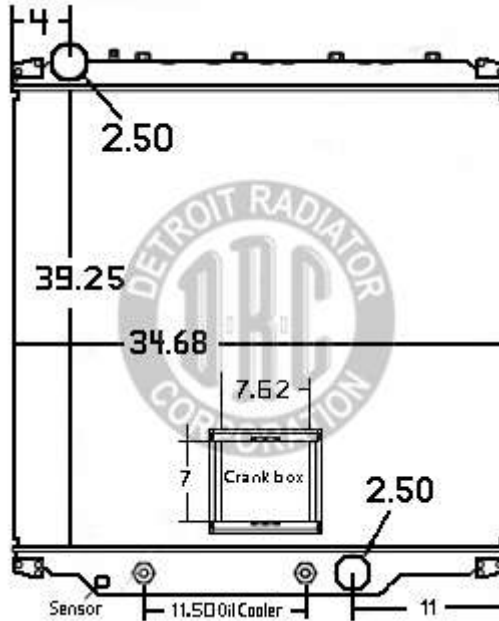
MK8240PTOOC

39.25" x 35.125" x 2.81"

Inlet: 2.50" Top Left

Outlet: 2.50" Bottom Right

4 Row FF Style Core with 1/2" Tubes on 1/2" Centers
 2008-2015 Mack CHU Series
 2008-2015 Mack GU Granite
 2009-2015 Volvo VHD Series



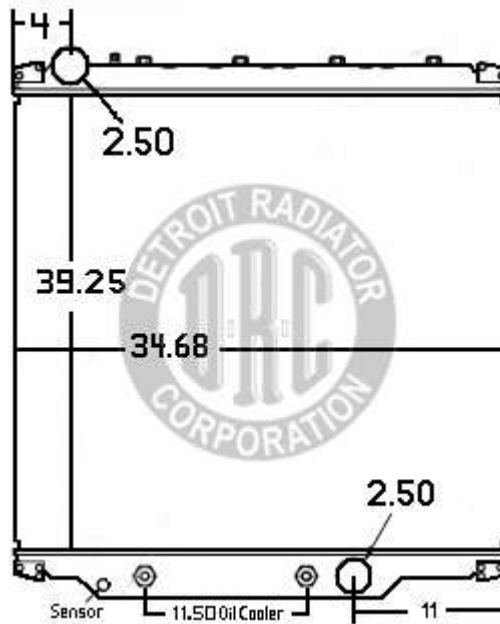
MK8240PTOOCN

39.25" x 35.125 x 2.37"

Inlet: 2.50" Top Left

Outlet: 2.50" Bottom Right

4 Row FF Style Core with 1/2" Tubes on 5/8" Centers
 2008-2015 Mack CHU Series
 2008-2015 Mack GU Granite
 2009-2015 Volvo VHD Series



MK8240R4OCN

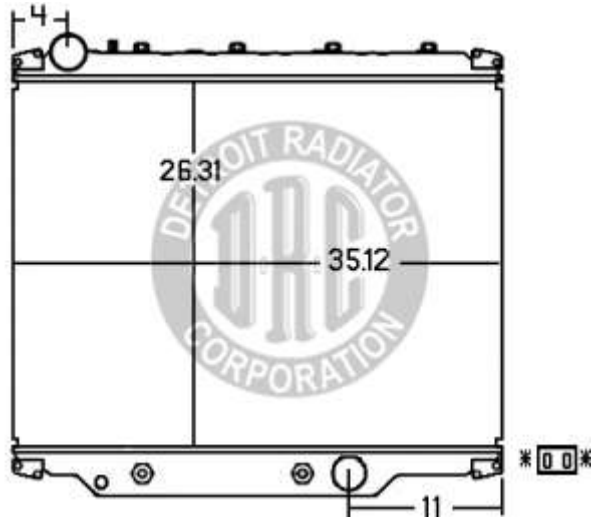
39.25" x 35.375" x 2.37"

Inlet: 2.50" Top Left

Outlet: 2.50" Bottom Right

4 Row FF Style Core with 1/2" Tubes on 5/8" Centers
 2008-2015 Mack CHU Series
 2008-2015 Mack GU Granite

2008-2015 Volvo VHD Series



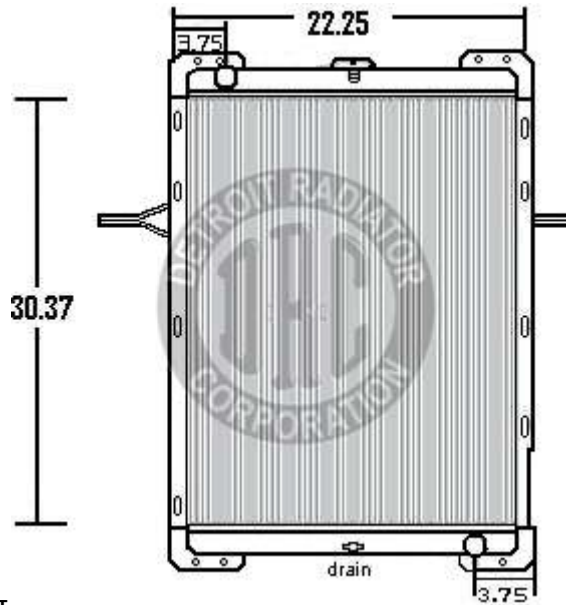
MK82410C

26.31" x 35.375" x 2.00"

Inlet: 2.50" Top Left

Outlet: 2.50" Bottom Right

****MUST VERIFY THE BOTTOM BRACKET IN PICTURE****
2008-2008 Volvo VHD Series

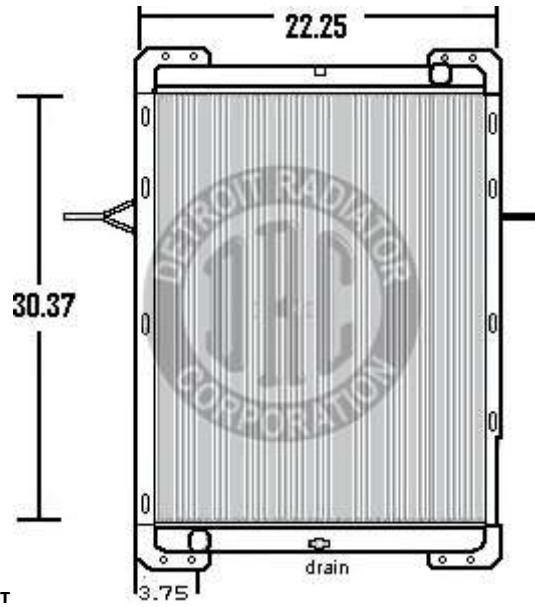


MK82LEFT

30.4375" x 22.375" x 2.00"

Inlet : 2.00" Top Left

Outlet : 2.00" Bottom Right
Mack Radiator
Fits 1995 - 2001Mack Midliner
Available in Solder On Only

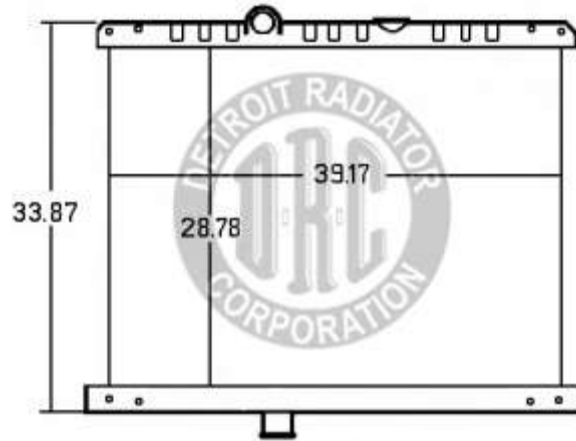


MK82RIGHT

30.4375" x 22.375" x 2.00"

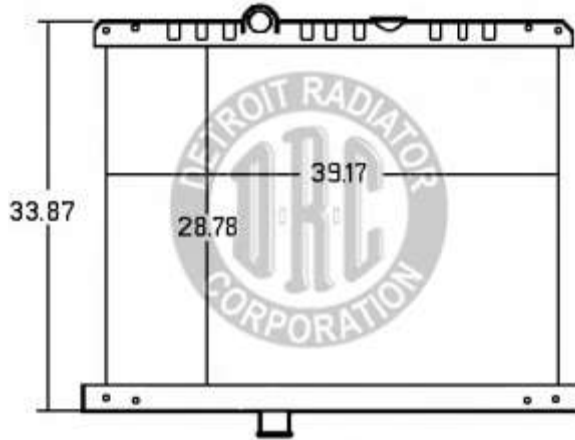
Inlet : 2.00" Top Right

Outlet : 2.00" Bottom Left
 Mack Radiator
 Fits 1995-2001 Mack Midliner
 Available in Solder On Only



MK83

28.78" x 39.17" x 2.00"
 Inlet : 2.00" Top Left
 Outlet : 2.50" Bottom Left
 1995-2004 Mack CH Series



MK83-AL

28.78" x 39.17" x 2.00"
 Inlet : 2.00" Top Left
 Outlet : 2.50" Bottom Left
 1995-2004 Mack CH Series



MK83-PA

28.78" x 39.17" x 2.00"
 Inlet : 2.00" Top Left
 Outlet : 2.50" Bottom Left
 1995-2004 Mack CH Series

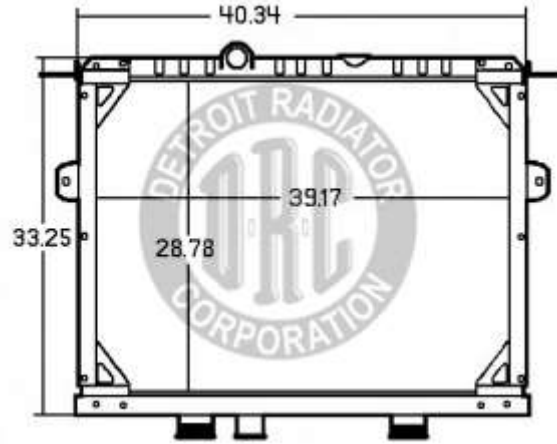


MK83AWF-PA

28.78" x 39.17" x 2.00"

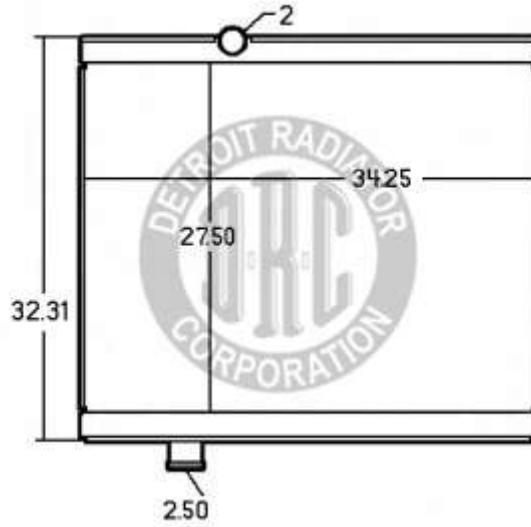
Inlet : 2.00" Top Left

Outlet : 2.50" Bottom Left
 1995-2004 Mack CH Series



MK83WF

28.78" x 39.17 x 2.00"
 Inlet: 2.00" Top Left
 Outlet: 2.50" Bottom Left
 1995-2004 Mack CH Series



MK84

27.50" x 34.6875" x 2.00"

Inlet : 2.00" Top Left

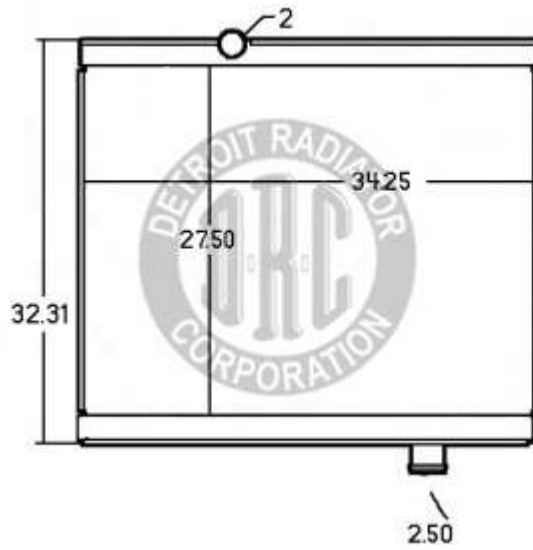
Outlet : 2.50" Bottom Left
 2002-2007 Mack CV Granite
 1998-2004 Mack RD Series

MK84-PA

27.50" x 34.6875" x 2.00"

Inlet : 2.00" Top Left

Outlet : 2.50" Bottom Left
 2002-2007 Mack CV Granite
 1998-2004 Mack RD Series



MK84LEFT

27.50" x 34.6875" x 2.00"

Inlet : 2.00" Top Left

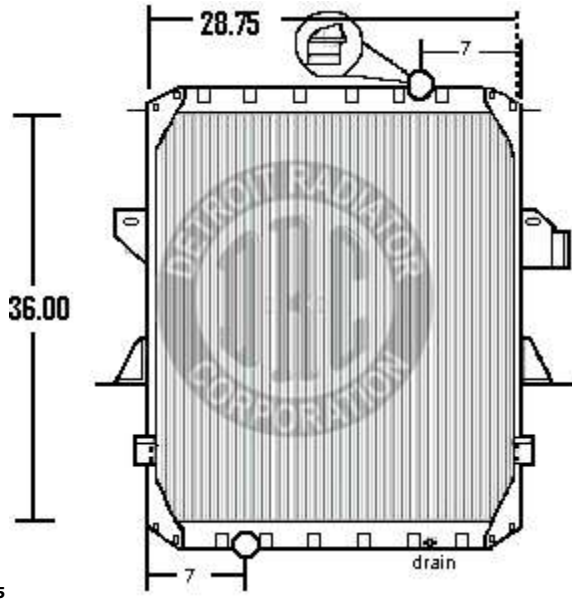
Outlet : 2.50" Bottom Right

2002-2007 Mack CV Granite/1998-2004 Mack RD Series



MK84WF-PA

27.50" x 34.62" x 2.00"
 Inlet : 2.00" Top Left
 Outlet : 2.50" Bottom Left
 Mack Radiator
 Fits : RD, CV, and Granite Model Macks
 Frame Work Included

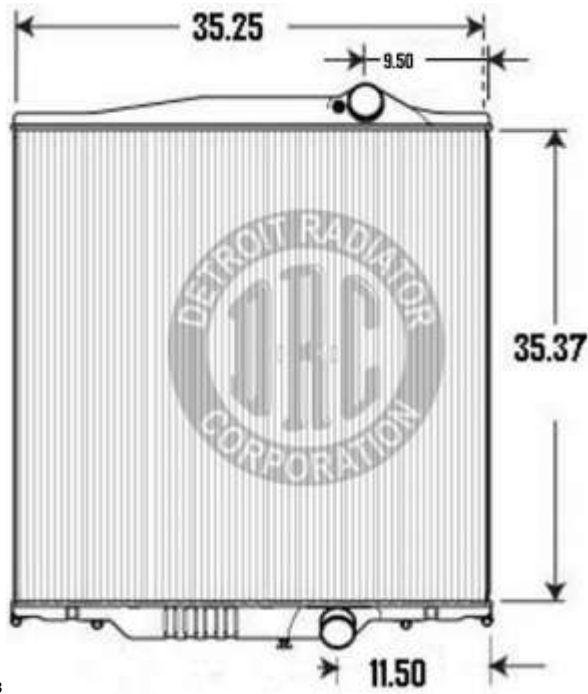


MK85

36.00" x 28.50" x 2.00"

Inlet : 2.00" Top Right

Outlet : 2.00" Bottom Left
 1999-2003 Mack CX Vision
 * Only available without frame *

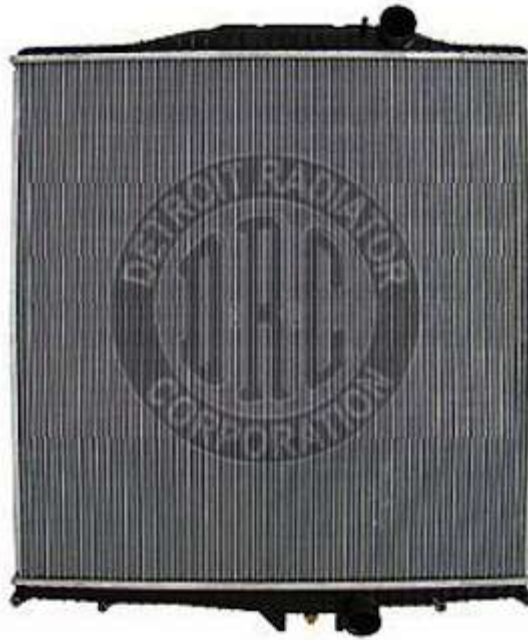


MKVG73

35.3125" x 35.50" x 2.00"

Inlet : 2.50" Top Right

Outlet : 2.50" Bottom Right
 2005 - 2007 Mack CX Vision

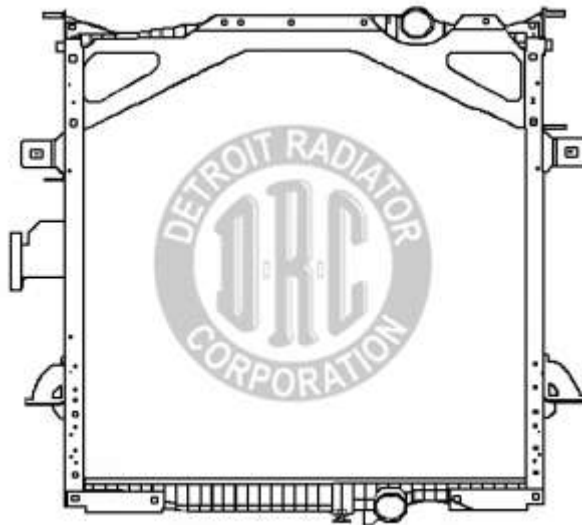


MKVG73-PA

35.3125" x 35.50" x 2.00"

Inlet: 2.50" Top Right

Outlet: 2.50" Bottom Right
2005 - 2007 Mack CX Vision

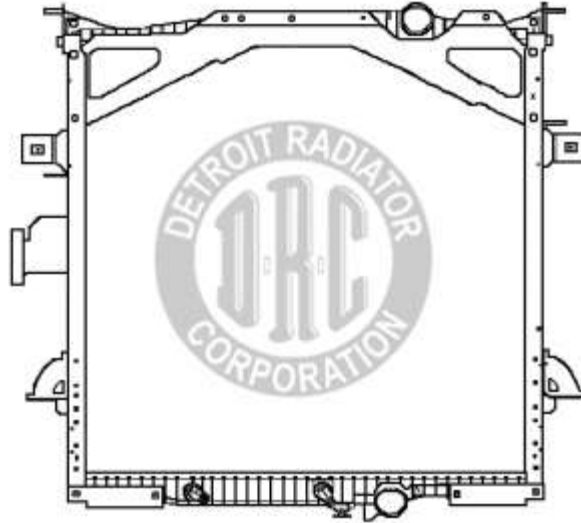


MKVG73AWF-PA

35.3125" x 35.50" x 2.00"

Inlet: 2.50" Top Right

Outlet: 2.50" Bottom Right
2005 - 2007 Mack CX Vision

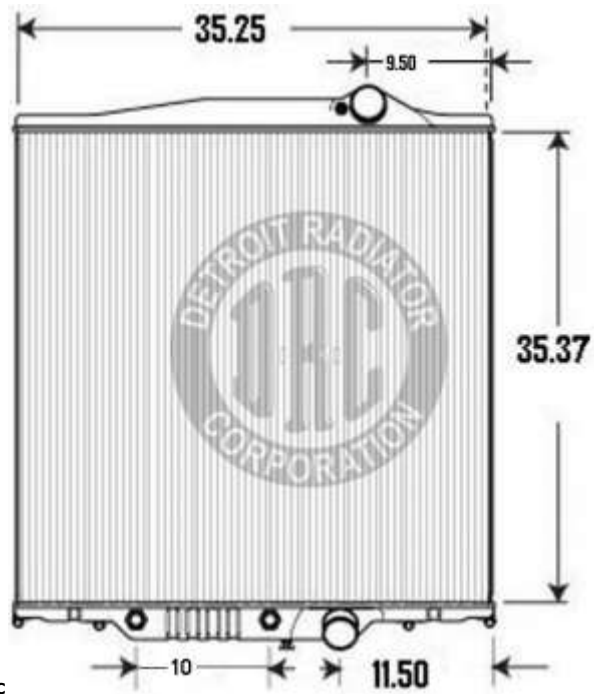


MKVG73AWFOC-PA

35.3125" x 35.375" x 2.00"

Inlet: 2.50" Top Right

Outlet: 2.50" Bottom Right
2005-2007 Mack CXN Vision



MKVG73OC

35.3125" x 35.375" x 2.00"

Inlet : 2.50" Top Right

Outlet : 2.50" Bottom Right
2005-2007 Mack CXN Vision