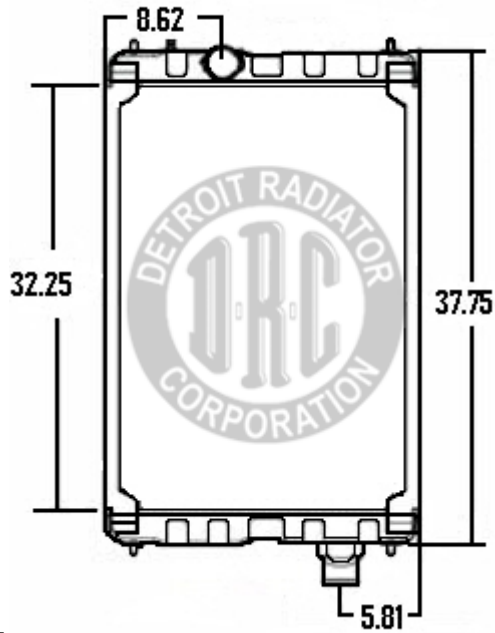


**Core Dim's & ConnectionsComments**

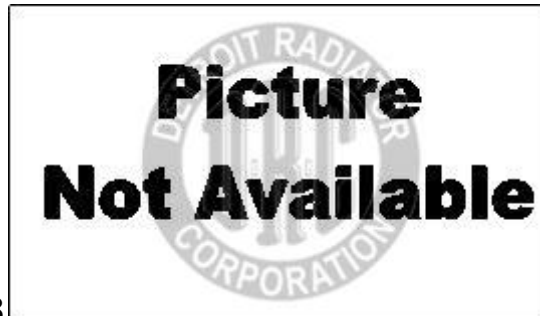


**PB387**

32.25" x 23.00" x 2.25"

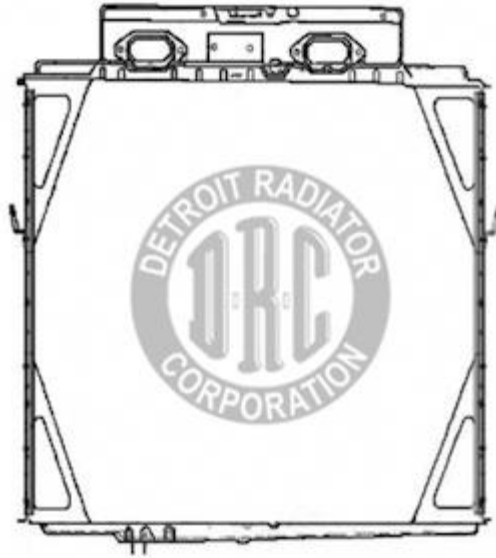
Inlet : 2.50" Top Left

Outlet : 2.50" Bottom Right  
2000-2003 Peterbilt 387



**PB58**

37.50" x 38.50" 2.8125"  
48 Bolt Holes on Top  
46 Bolt holes on Bottom  
Peterbilt Radiator



**PB59**

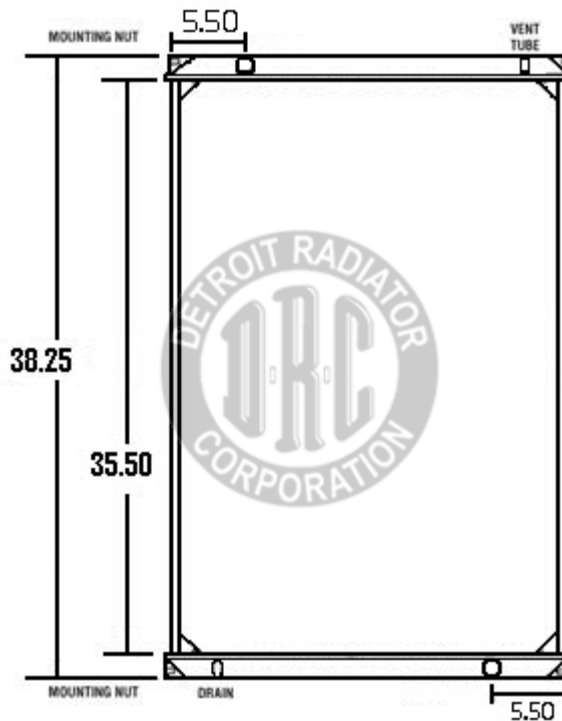
36.25" x 34.62" x 2.62"

Outlet: Flange

Low Flow Unit

Peterbilt Radiator

\*Customer has to reuse the bottom bracket\*

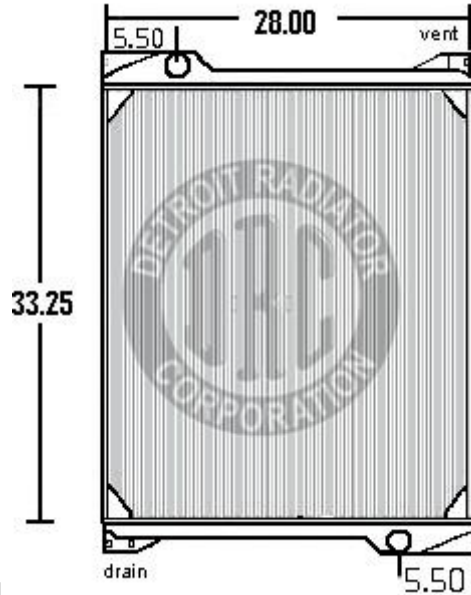


**PB60**

35.50" x 29.00" x 2.00"

Inlet : 1.25" Top Left

Outlet : 1.25" Bottom Right  
Peterbilt Radiator  
362, 372 Series with Cummins L-10 Engine  
Low Flow Cooling System  
For High Flow see Part # PB62 \*Available in Solder On Only\*



**PB61**

33.50" x 27.43" x 2.00"

Inlet : 2.50" Top Left

Outlet : 2.50" Bottom Right  
1990-1992 Peterbilt 362 Cabover



**PB62**

35.50" x 28.00" x 2.00"

Inlet : 2.00" Top Left

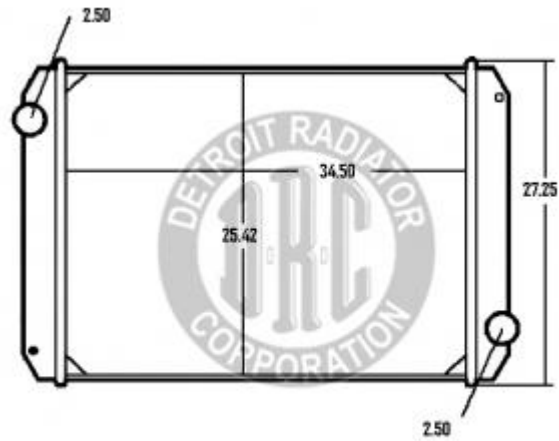
Outlet : 2.00" Bottom Right

Peterbilt Radiator

330 Series

3 row core with 1 1/4" Inlet/Outlet location See Part # PB60

\*Available in Solder On Only\*



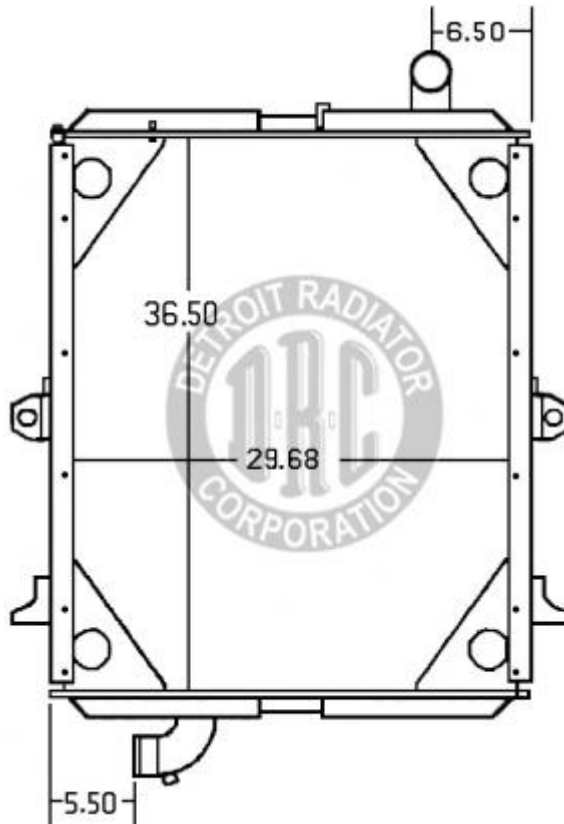
### **PB63**

34.50" x 25.62" x 2.00"

Inlet : 2.50" Upper Left

Outlet : 2.50" Lower Right

1993-2003 Peterbilt 330



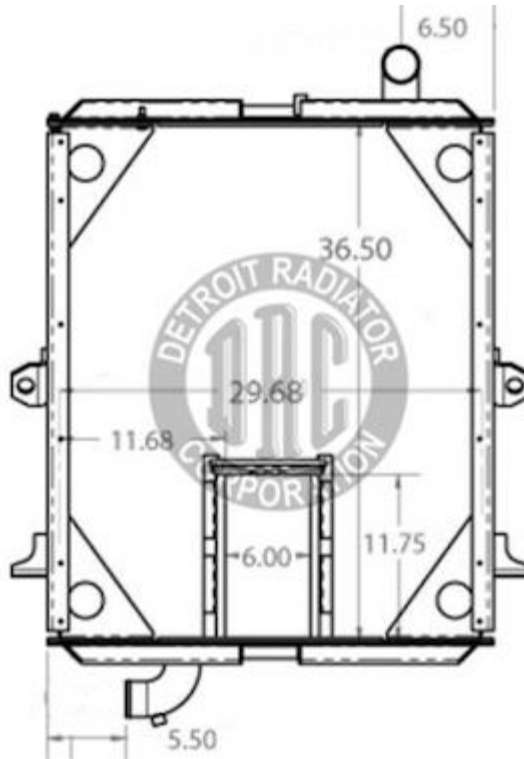
**PB65**

36.50" x 29.68" x 2.62"

Inlet: 2.50" Top Right

Outlet: 2.50" Bottom Left

Header - 31.25" x 6.00" 42 Bolt Holes  
1993-2007 Peterbilt 320



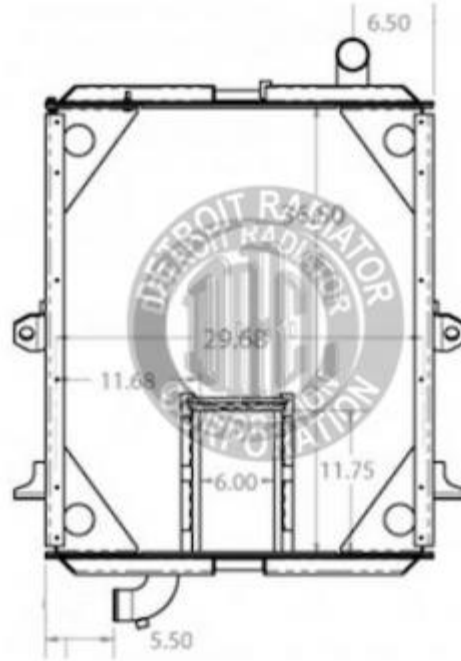
**PB65PTO**

36.50" x 29.68" x 2.81"

Inlet: 2.50" Top Right

Outlet: 2.50" Bottom Left

Header - 31.25" x 6.00" 42 Bolt Holes  
1993-2007 Peterbilt 320With PTO



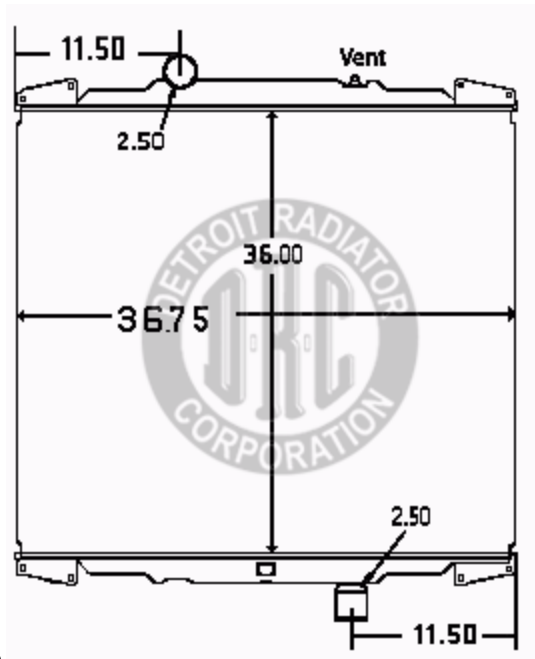
**PB65PTOA**

36.50" x 29.68" x 2.681"

Inlet: 2.50" Top Right

Outlet: 2.50" Bottom Left

Header - 31.25" x 6.00" 42 Bolt Holes  
1993-2007 Peterbilt 320With PTO

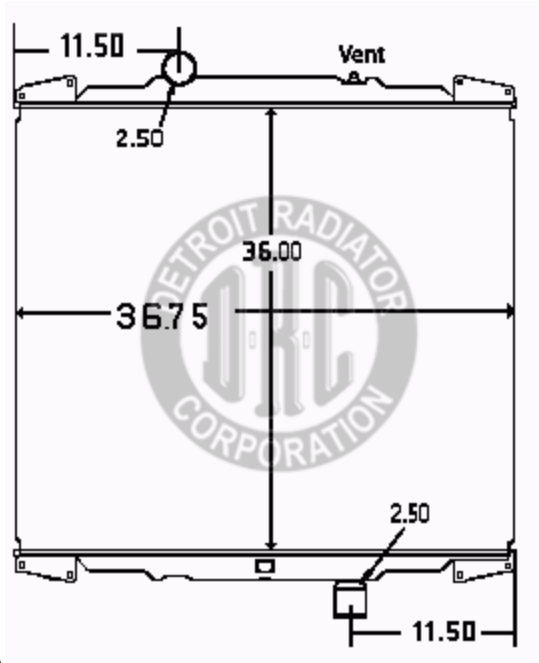


**PB66**

36.00" x 36.75" x 2.00"

Inlet : 2.50" Top Left

Outlet : 2.50" Bottom Right  
2008-2014 Kenworth W900  
2008-2015 Peterbilt 384  
2008-2015 Peterbilt 386



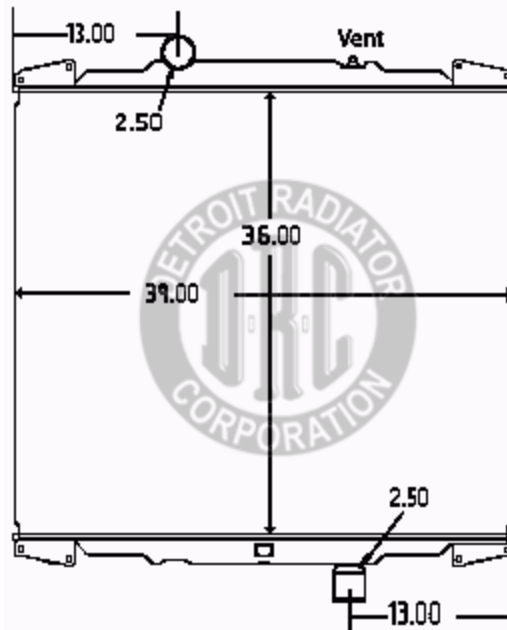
**PB66-PA**

36.00" x 36.75" x 2.00"

Inlet: 2.50" Top Left

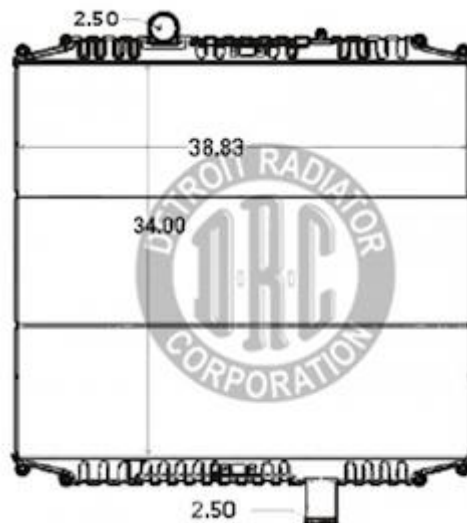
Outlet: 2.50" Bottom Right  
2008-2014 Kenworth W900  
2008-2015 Peterbilt 384  
2008-2015 Peterbilt 386  
Plastic & Aluminum





**PB67**

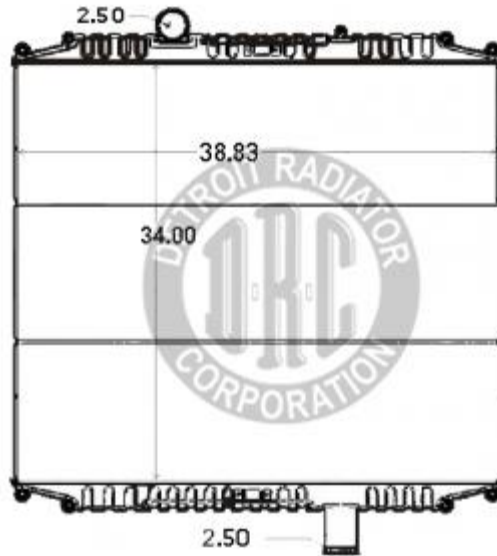
36.00" x 39.00" x 2.12"  
 Inlet : 2.50" Top Left  
 Outlet : 2.50" Bottom Right  
 Peterbilt Radiator  
 2008 -2010 Model 367/387



**PB68**

34.00" x 39.43" x 2.00"  
 Inlet : 2.50" Top Left  
 Outlet : 2.50" Bottom Right  
 2008-2011 Peterbilt 387  
 2008-2011 Kenworth T2000  
 2008-2013 Peterbilt 365-367

2011-2015 Peterbilt 587  
2013-2016 Peterbilt 579



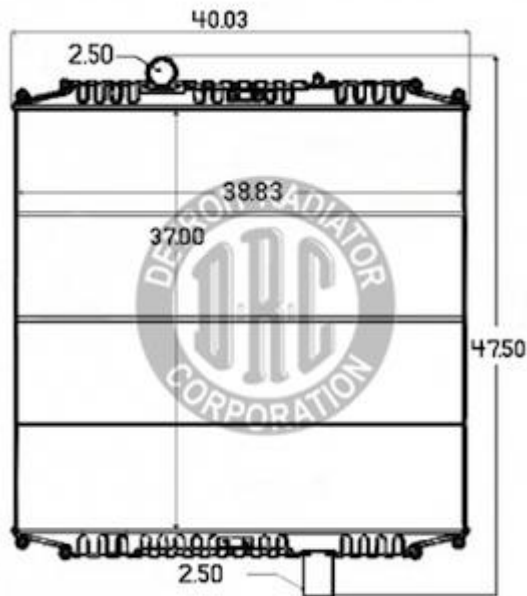
**PB68-PA**

34.00" x 39.43" x 2.00"

Inlet : 2.50" Top Left

Outlet : 2.50" Bottom Right

2008-2011 Peterbilt 387  
2008-2011 Kenworth T2000  
2008-2013 Peterbilt 365-367  
2011-2015 Peterbilt 587  
2013-2016 Peterbilt 579  
\*Plastic/Aluminum\*

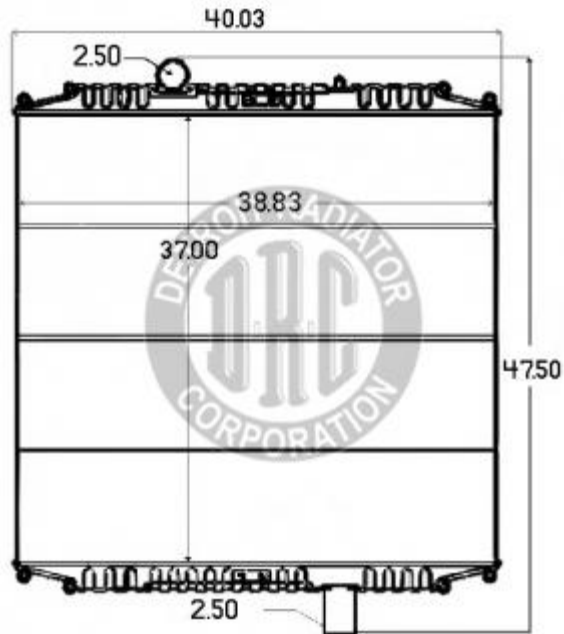


**PB69**

36.93" x 39.43" x 2.00"

Inlet : 2.50" Top Left

Outlet : 2.50" Bottom Right  
2008-2010 Peterbilt 335  
2008-2013 Peterbilt 365-367  
2008-2013 Kenworth T800  
2014-2015 Kenworth T880



**PB69-PA**

36.93" x 39.43" x 2.00"

Inlet : 2.50" Top Left

Outlet : 2.50" Bottom Right  
2008-2010 Peterbilt 335  
2008-2013 Peterbilt 365-367  
2008-2013 Kenworth T800  
2014-2015 Kenworth T880  
\*Plastic/Aluminum\*

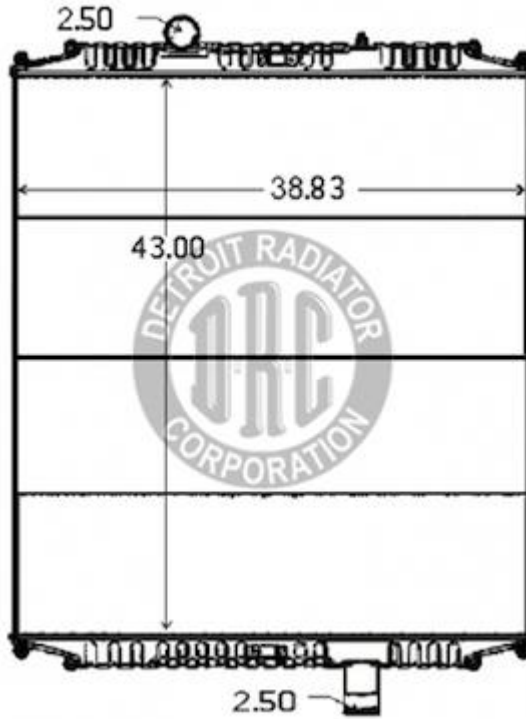


**PB70**

42.87" x 39.43" x 2.00"

Inlet : 2.50" Top Left

Outlet : 2.50" Bottom Right  
2008-2014 Kenworth W900  
2008-2015 Peterbilt 388-389  
2011-2012 Peterbilt 365-367

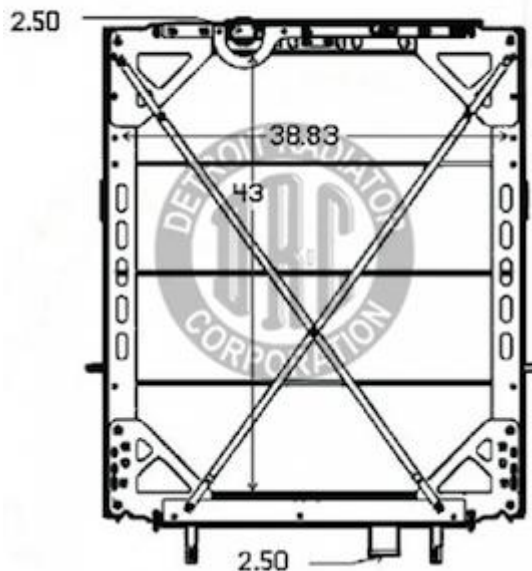


**PB70-PA**

42.87" x 39.43" x 2.00"

Inlet : 2.50" Top Left

Outlet : 2.50" Bottom Right  
 2008-2014 Kenworth W900  
 2008-2015 Peterbilt 388-389  
 2011-2012 Peterbilt 365-367  
 Plastic & Aluminum

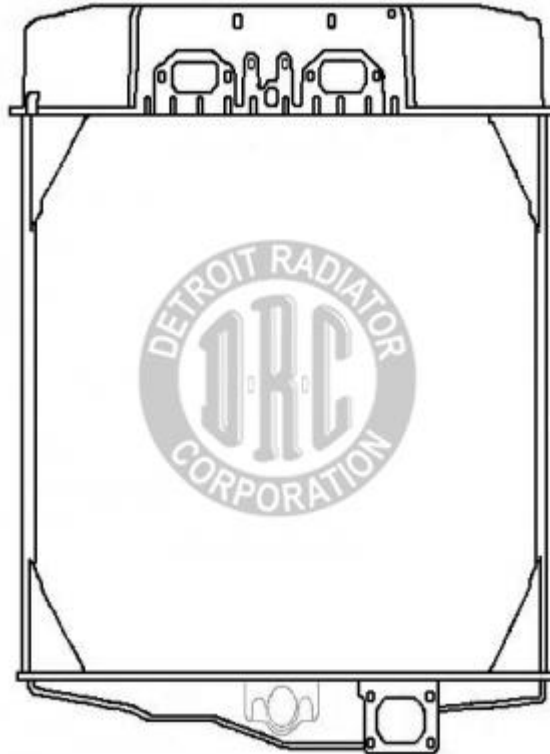


**PB70WF**

42.87" x 39.43" x 2.00"

Inlet : 2.50" Top Left

Outlet : 2.50" Bottom Right  
2008-2014 Kenworth W900  
2008-2015 Peterbilt 388-389  
2011-2012 Peterbilt 365-367  
With Framework



**PB71**

37.50" x 38.50" x 4.18"

Inlet: 2.50"

Outlet: 2.25" Bottom Right  
Peterbilt 353 and 359 Models

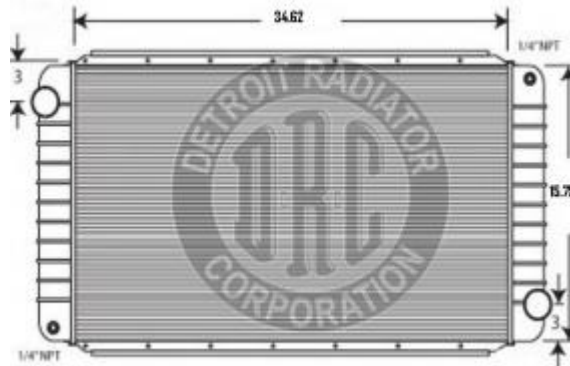


**PB7397**

36.12" x 26.06" x 2.00"

Inlet : 2.50" Upper Left

Outlet : 2.50" Center Right  
2003-2006 Peterbilt 378-379

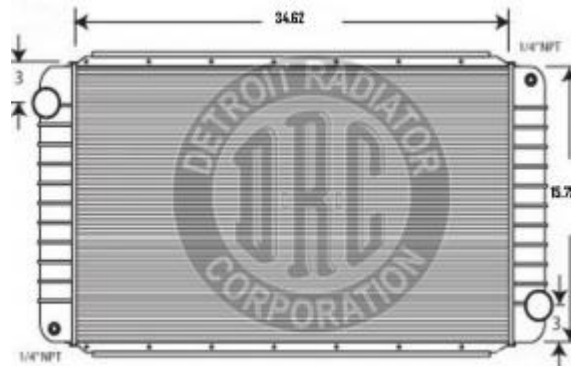


**PB7705**

34.62" x 15.75" x 2.00"

Inlet : 2.25" Upper Left

Outlet : 2.25" Lower Right  
2004-2007 Peterbilt 330 & 335  
2007 Peterbilt 340  
2004-2007 Kenworth T300

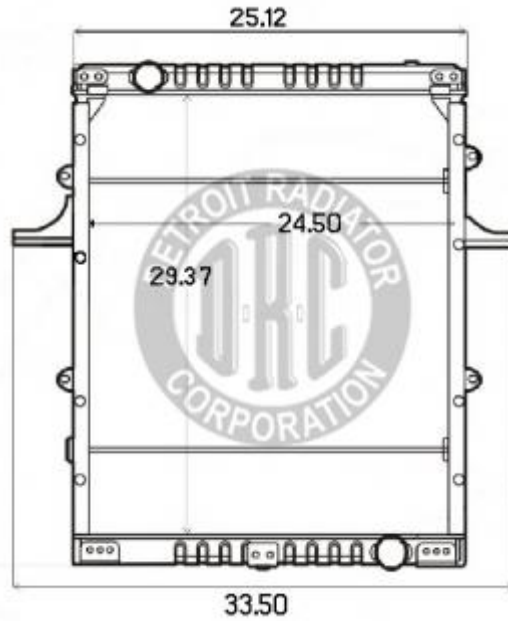


**PB7705-PA**

34.62" x 15.75" x 2.00"

Inlet : 2.25" Upper Left

Outlet : 2.25" Lower Right  
2004-2007 Peterbilt 330 & 335  
2007 Peterbilt 340  
2004-2007 Kenworth T300  
\*Plastic/Aluminum\*



**PB8232**

29.37" x 24.50" x 1.87"

Inlet: 2.00" Top Left

Outlet: 2.00" Bottom Right

Peterbilt/Volkswagen Worker Radiator