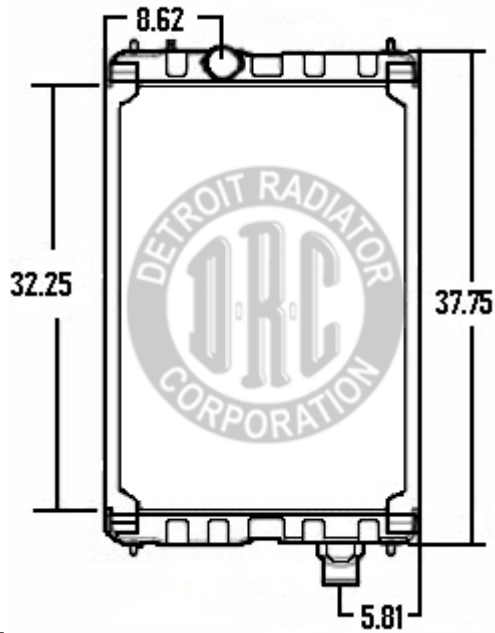


Core Dim's & ConnectionsComments

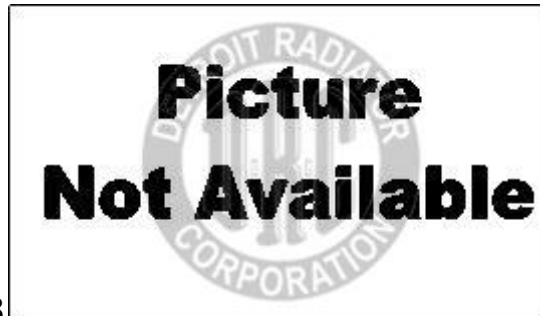


PB387

32.25" x 23.00" x 2.25"

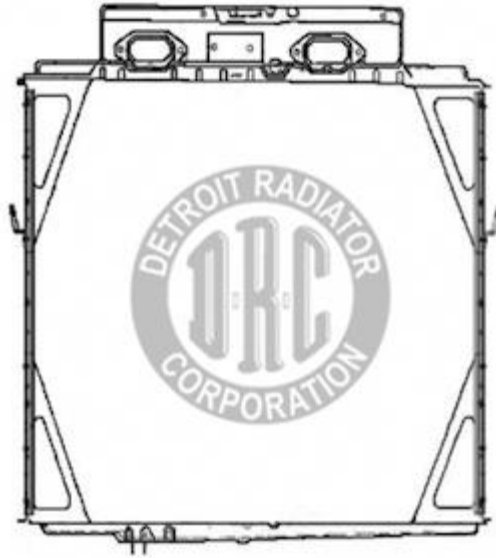
Inlet : 2.50" Top Left

Outlet : 2.50" Bottom Right
2000-2003 Peterbilt 387



PB58

37.50" x 38.50" 2.8125"
48 Bolt Holes on Top
46 Bolt holes on Bottom
Peterbilt Radiator



PB59

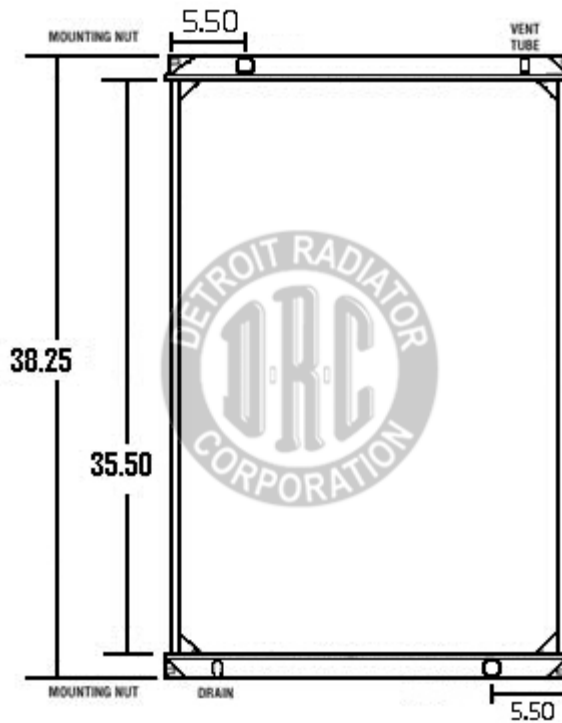
36.25" x 34.62" x 2.62"

Outlet: Flange

Low Flow Unit

Peterbilt Radiator

Customer has to reuse the bottom bracket

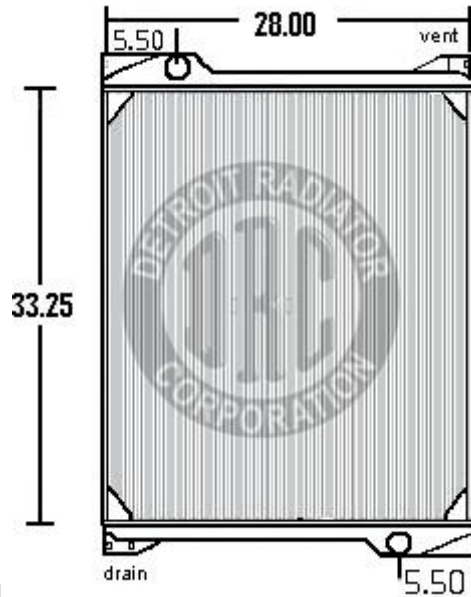


PB60

35.50" x 29.00" x 2.00"

Inlet : 1.25" Top Left

Outlet : 1.25" Bottom Right
Peterbilt Radiator
362, 372 Series with Cummins L-10 Engine
Low Flow Cooling System
For High Flow see Part # PB62 *Available in Solder On Only*



PB61

33.50" x 27.43" x 2.00"

Inlet : 2.50" Top Left

Outlet : 2.50" Bottom Right
1990-1992 Peterbilt 362 Cabover



PB62

35.50" x 28.00" x 2.00"

Inlet : 2.00" Top Left

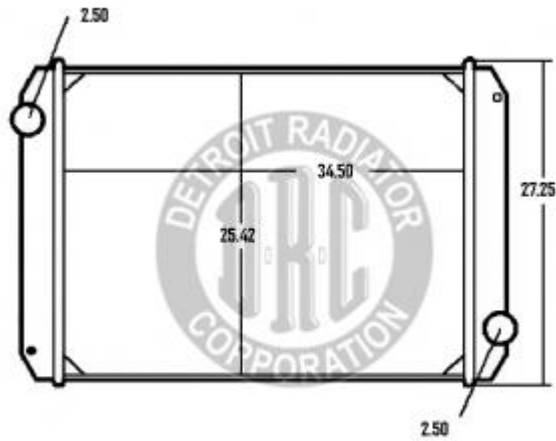
Outlet : 2.00" Bottom Right

Peterbilt Radiator

330 Series

3 row core with 1 1/4" Inlet/Outlet location See Part # PB60

Available in Solder On Only



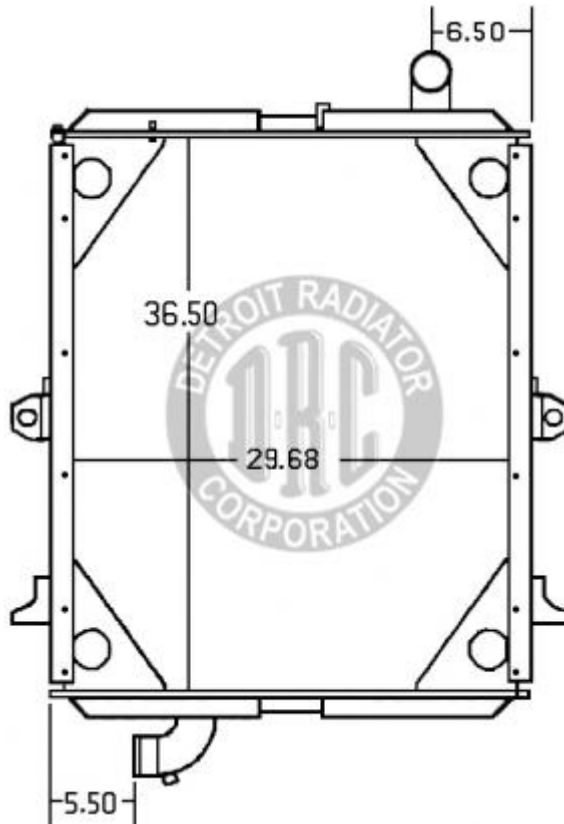
PB63

34.50" x 25.62" x 2.00"

Inlet : 2.50" Upper Left

Outlet : 2.50" Lower Right

1993-2003 Peterbilt 330



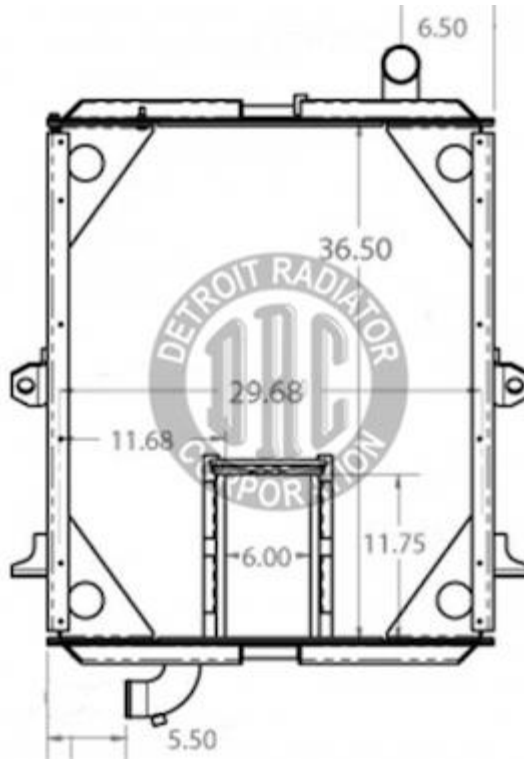
PB65

36.50" x 29.68" x 2.62"

Inlet: 2.50" Top Right

Outlet: 2.50" Bottom Left

Header - 31.25" x 6.00" 42 Bolt Holes
1993-2007 Peterbilt 320



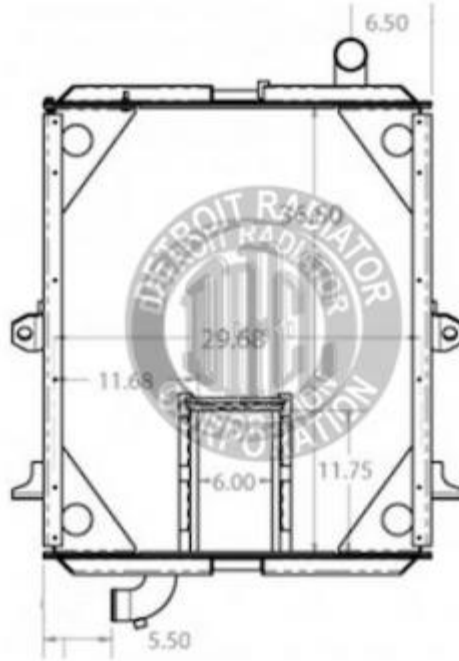
PB65PTO

36.50" x 29.68" x 2.81"

Inlet: 2.50" Top Right

Outlet: 2.50" Bottom Left

Header - 31.25" x 6.00" 42 Bolt Holes
1993-2007 Peterbilt 320With PTO



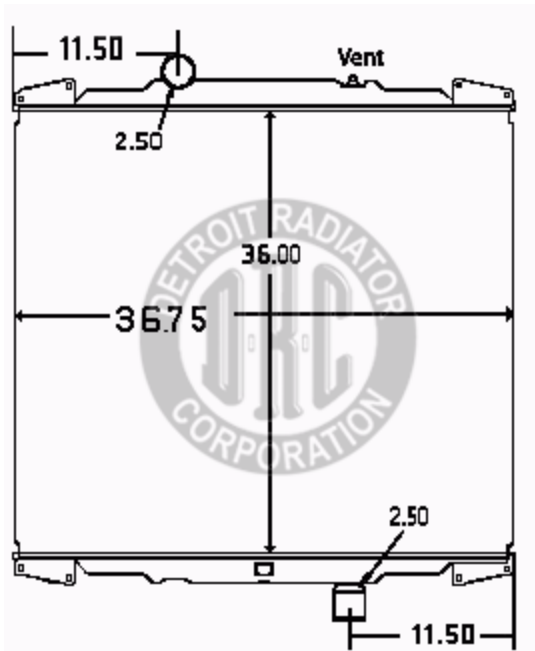
PB65PTOA

36.50" x 29.68" x 2.681"

Inlet: 2.50" Top Right

Outlet: 2.50" Bottom Left

Header - 31.25" x 6.00" 42 Bolt Holes
1993-2007 Peterbilt 320With PTO

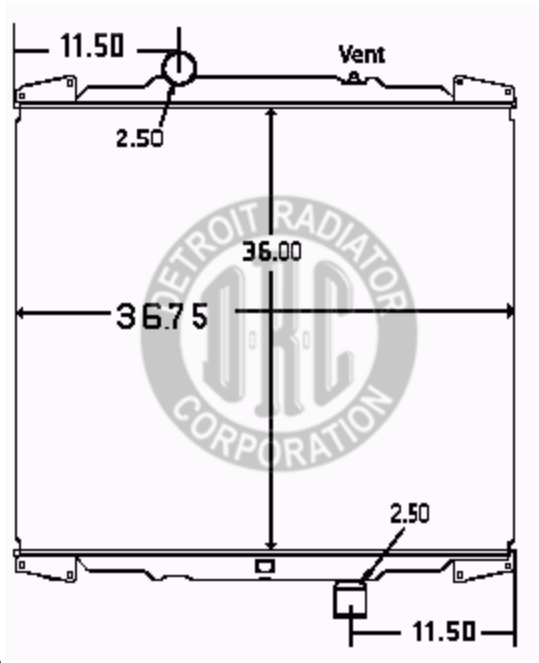


PB66

36.00" x 36.75" x 2.00"

Inlet : 2.50" Top Left

Outlet : 2.50" Bottom Right
2008-2014 Kenworth W900
2008-2015 Peterbilt 384
2008-2015 Peterbilt 386

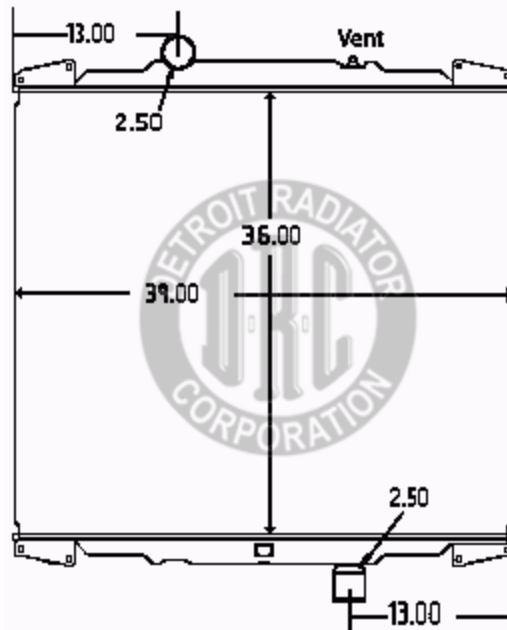


PB66-PA

36.00" x 36.75" x 2.00"

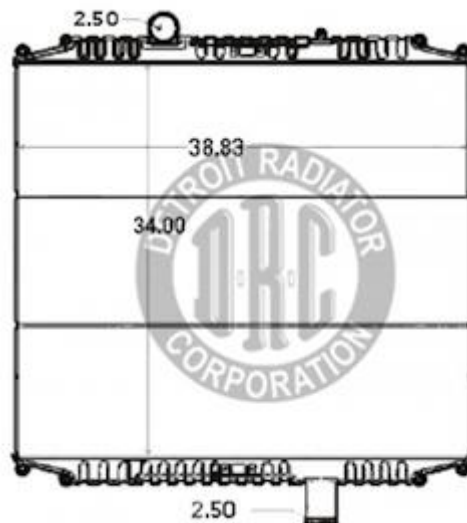
Inlet: 2.50" Top Left

Outlet: 2.50" Bottom Right
2008-2014 Kenworth W900
2008-2015 Peterbilt 384
2008-2015 Peterbilt 386
Plastic & Aluminum



PB67

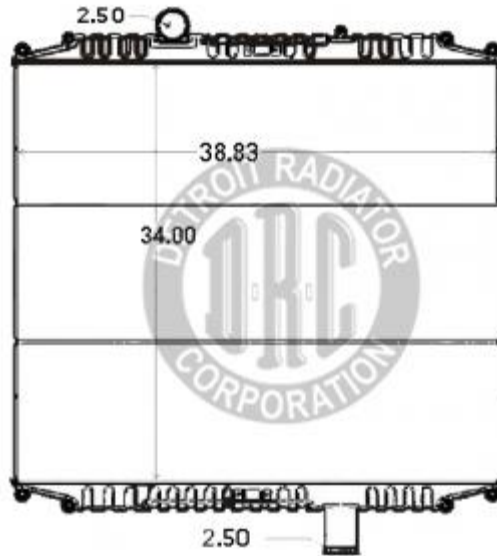
36.00" x 39.00" x 2.12"
 Inlet : 2.50" Top Left
 Outlet : 2.50" Bottom Right
 Peterbilt Radiator
 2008 -2010 Model 367/387



PB68

34.00" x 39.43" x 2.00"
 Inlet : 2.50" Top Left
 Outlet : 2.50" Bottom Right
 2008-2011 Peterbilt 387
 2008-2011 Kenworth T2000
 2008-2013 Peterbilt 365-367

2011-2015 Peterbilt 587
2013-2016 Peterbilt 579



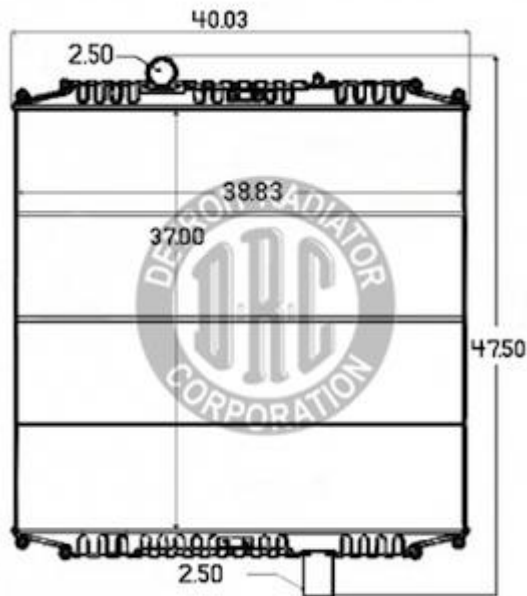
PB68-PA

34.00" x 39.43" x 2.00"

Inlet : 2.50" Top Left

Outlet : 2.50" Bottom Right

2008-2011 Peterbilt 387
2008-2011 Kenworth T2000
2008-2013 Peterbilt 365-367
2011-2015 Peterbilt 587
2013-2016 Peterbilt 579
Plastic/Aluminum

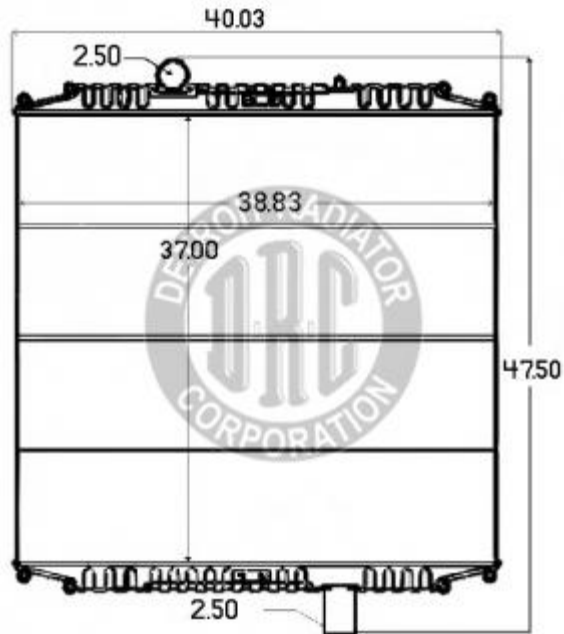


PB69

36.93" x 39.43" x 2.00"

Inlet : 2.50" Top Left

Outlet : 2.50" Bottom Right
2008-2010 Peterbilt 335
2008-2013 Peterbilt 365-367
2008-2013 Kenworth T800
2014-2015 Kenworth T880



PB69-PA

36.93" x 39.43" x 2.00"

Inlet : 2.50" Top Left

Outlet : 2.50" Bottom Right
2008-2010 Peterbilt 335
2008-2013 Peterbilt 365-367
2008-2013 Kenworth T800
2014-2015 Kenworth T880
Plastic/Aluminum

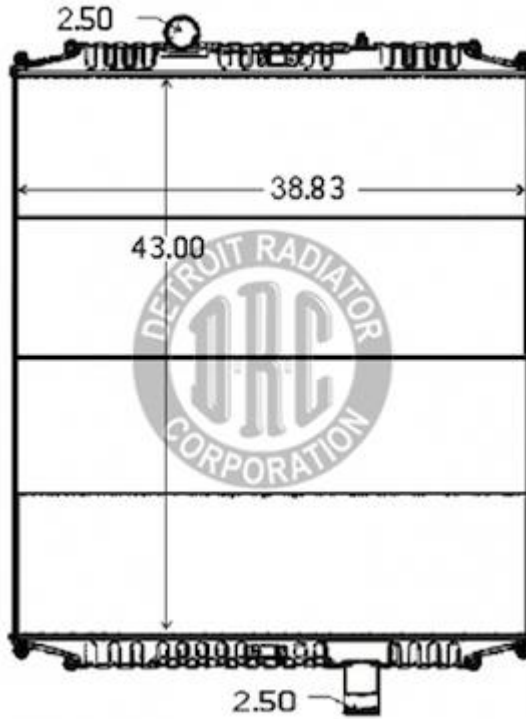


PB70

42.87" x 39.43" x 2.00"

Inlet : 2.50" Top Left

Outlet : 2.50" Bottom Right
2008-2014 Kenworth W900
2008-2015 Peterbilt 388-389
2011-2012 Peterbilt 365-367

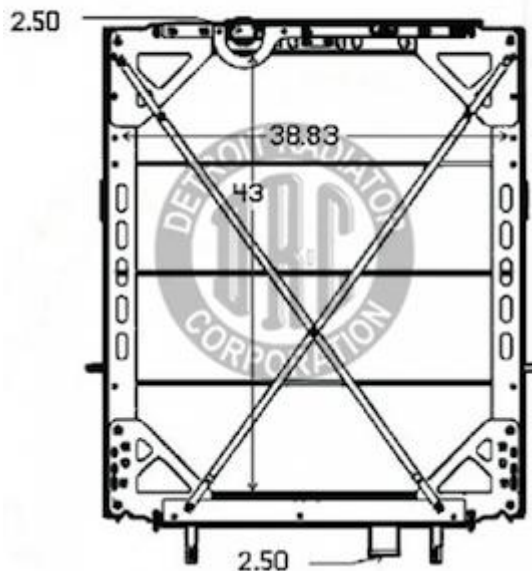


PB70-PA

42.87" x 39.43" x 2.00"

Inlet : 2.50" Top Left

Outlet : 2.50" Bottom Right
 2008-2014 Kenworth W900
 2008-2015 Peterbilt 388-389
 2011-2012 Peterbilt 365-367
 Plastic & Aluminum

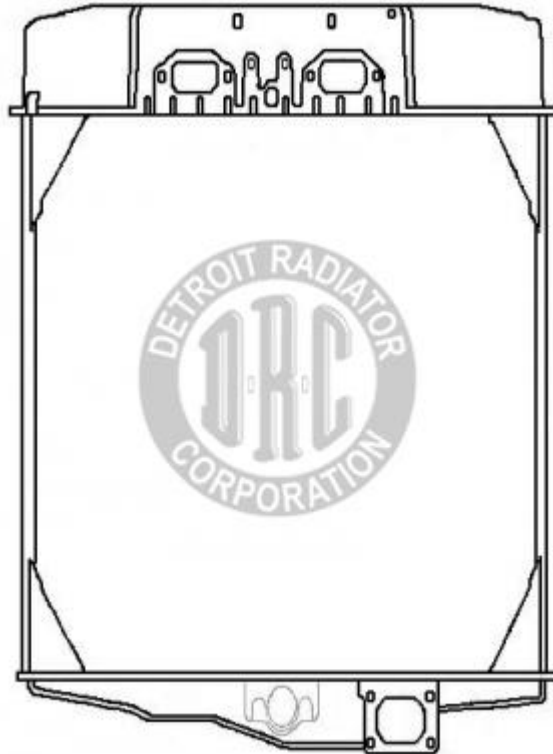


PB70WF

42.87" x 39.43" x 2.00"

Inlet : 2.50" Top Left

Outlet : 2.50" Bottom Right
2008-2014 Kenworth W900
2008-2015 Peterbilt 388-389
2011-2012 Peterbilt 365-367
With Framework



PB71

37.50" x 38.50" x 4.18"

Inlet: 2.50"

Outlet: 2.25" Bottom Right
Peterbilt 353 and 359 Models

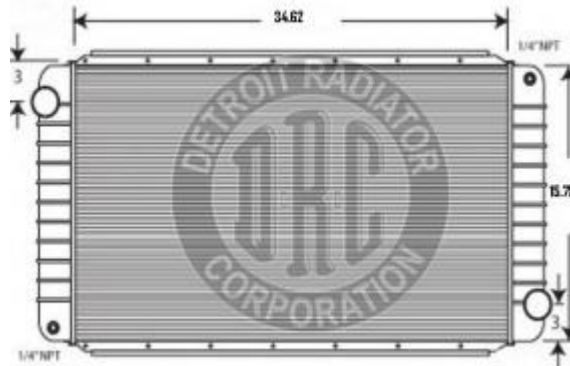


PB7397

36.12" x 26.06" x 2.00"

Inlet : 2.50" Upper Left

Outlet : 2.50" Center Right
2003-2006 Peterbilt 378-379

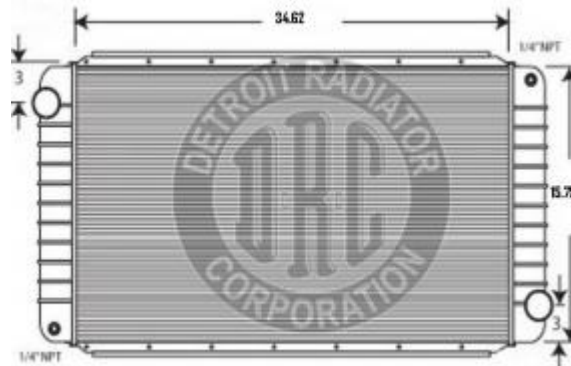


PB7705

34.62" x 15.75" x 2.00"

Inlet : 2.25" Upper Left

Outlet : 2.25" Lower Right
2004-2007 Peterbilt 330 & 335
2007 Peterbilt 340
2004-2007 Kenworth T300

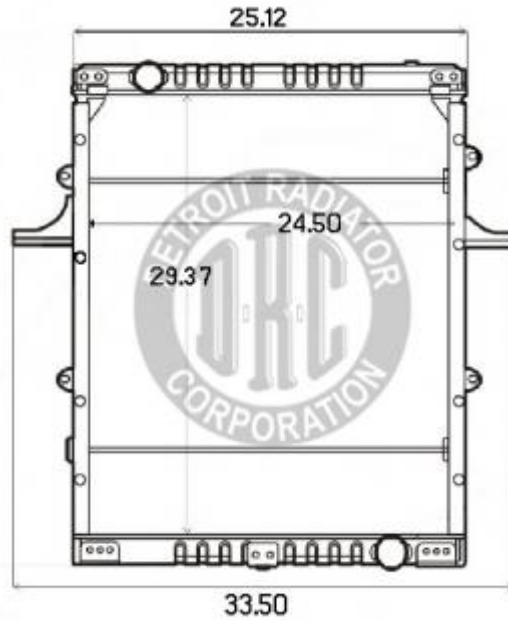


PB7705-PA

34.62" x 15.75" x 2.00"

Inlet : 2.25" Upper Left

Outlet : 2.25" Lower Right
2004-2007 Peterbilt 330 & 335
2007 Peterbilt 340
2004-2007 Kenworth T300
Plastic/Aluminum



PB8232

29.37" x 24.50" x 1.87"

Inlet: 2.00" Top Left

Outlet: 2.00" Bottom Right

Peterbilt/Volkswagen Worker Radiator